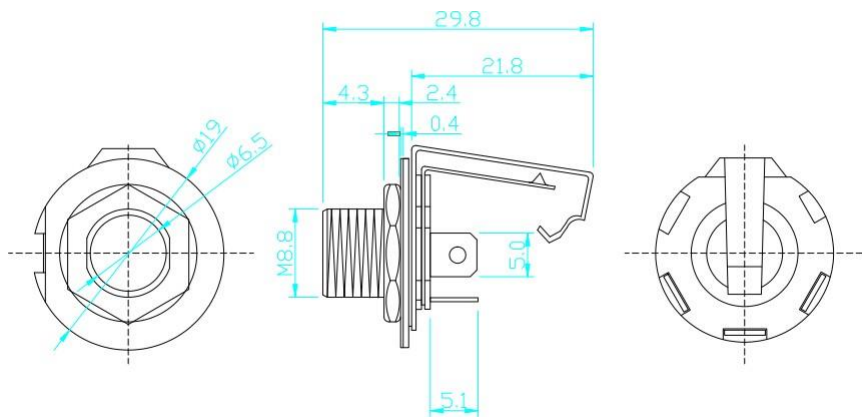


Data Sheet

6.35 mm Audio Jack Socket, Vertical, Mono



Drawing:



Technical data

Audio channels: Mono

Connection: Soldering

Number of pins: 2

Connector type: Socket, vertical

Recess diameter: 8.8 mm

Switch contact: available

Contact material: Nickel plated

Product type: 6.35 mm audio jack

Operating & Storage temperature: -25 °C ~ +85 °C

Operating & Storage humidity: 10% RH ~ 90% RH