

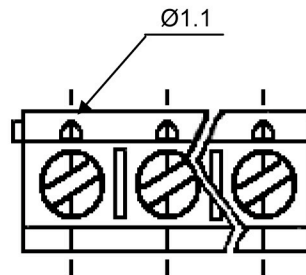
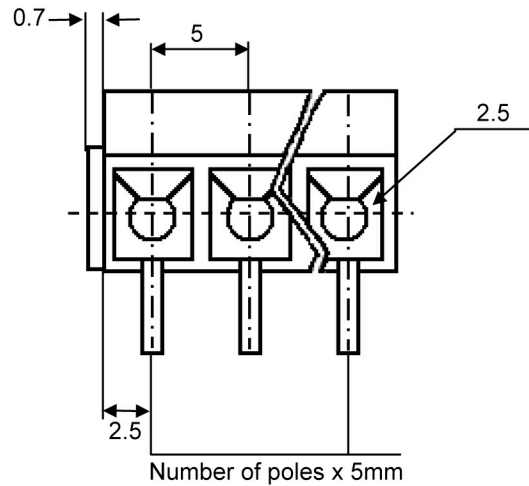
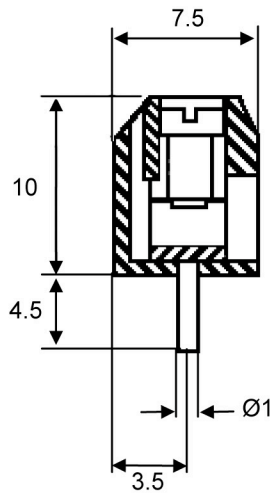
5mm PCB

Order code	Manufacturer code	Description
21-0118	650TDS06	6 WAY 16A PCB TERMINAL BLOCK (RC)
21-0120	650TDS12	12 WAY 16A PCB TERMINAL BLOCK (RC)
21-0112	650TDS02	2 WAY 16A PCB TERMINAL BLOCK (RC)
21-0114	650TDS03	3 WAY 16A PCB TERMINAL BLOCK (RC)
21-0116	650TDS04	4 WAY 16A PCB TERMINAL BLOCK (RC)

5mm PCB	Page 1 of 2
The enclosed information is believed to be correct, Information may change without notice due to product improvement. Users should ensure that the product is suitable for their use. E. & O. E.	Revision A 20/02/2007

SERIES 650TDS

5MM PITCH – LOW PROFILE SIDE ENTRY



FEATURES

Series 650T are 5mm pitch, low profile, side entry connectors and are available in 2,3 and 8 pole (type 08M). All versions have interlocking dovetails to enable longer lengths to be assembled and are available with or without wire protectors. Supplied as 2,3 and 8 pole modules, or to preassembled required lengths.

TECHNICAL DATA

Mouldings:	Polycarbonate UL84 VO Grey
Inserts & solder pins:	Brass, tinned to ISO 2093
Screws:	M2.5, steel zinc plated and passivated
Wire protectors:	Bronze, nickel plated
Current rating:	16 amps
Conductor size:	Without wire protector 2.5 mm sq. With wire protector 1.5 mm sq.
Maximum working temp:	120°C