

LOKJAC Category 6 patch panel (SF24LJ)



LOKJAC Category 6 patch panel (SF24LJ)

Our locking Category 6 patch panel offers a solution for almost any Category 6 locking requirement. The locking mechanism ensures safety and security, but the locking bars also provide control by preventing unauthorised access to unused ports.

Features

- High performance data throughput, meets Category 6 data transfer rates at permanent link level
- Compliant with IEC60512-99-001 – suitable for use with IEEE 802.3at (PoE+) applications
- Locked securely into place with LOKJAC key, with easy to use lock and release mechanism
- Locking bar blocks unauthorised access to unused ports
- Can be terminated with either 110 or LSA+ type tools
- Mounts to any standard 19-inch rack, cabinet or wall bracket
- Clear numbering on the front provides a quick, easy way to identify cable run
- High quality metal rear cable management

- Robust and high quality metal construction
- Each panel supplied with key, caged nut set and cable ties

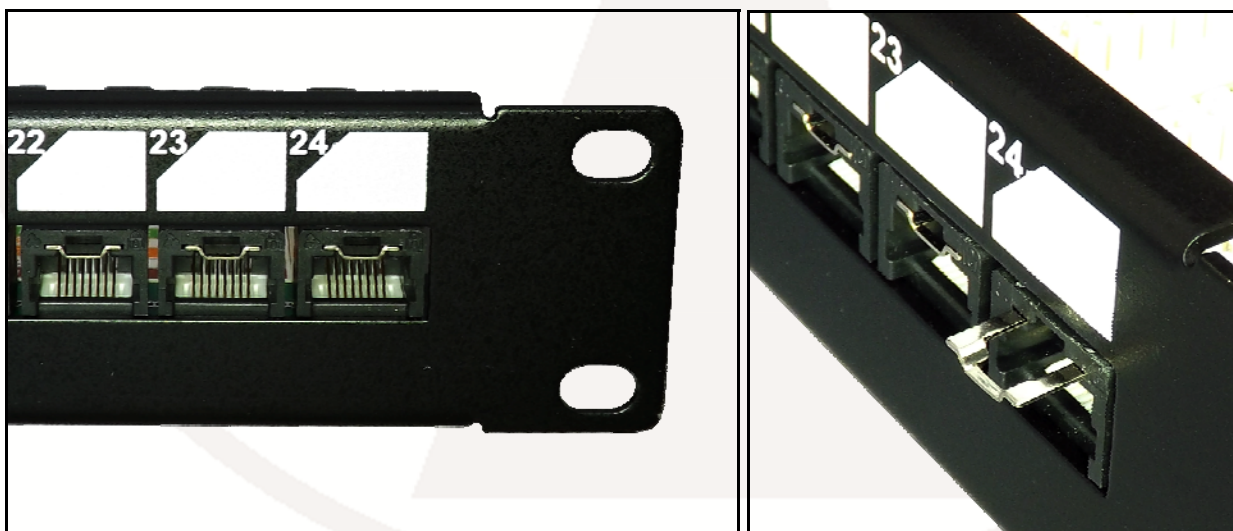
Specifications

- Weight: 1.08kg
- Dimensions: 482 x 115.4 x 44mm
- Colour: Black
- Material:
 - Panel: Cold rolled steel (SPCC)
 - Jack: 8P8C 50µ"/1.27µm gold plated
 - PCB: FR-4/ UL-94V0
 - IDC Body: Fireproof ABS UL-94V0
 - IDC Pin: Bronze & Tinned
 - Lock Bar: Cold rolled steel (SPCC)
 - Key: Cold rolled steel (SPCC) and PVC moulding

Packaging: Packed in individual white box

EAN: 5055386507389

Commodity Code: 85177090



ROHS Compliant

Code: SF24LJ

Performance:

Meets C6 EIA/TIA 568B Standard.

Materials:

Panel : Cold rolled steel (SPCC)

Jack : 8P8C 50 μ "/1.27 μ m gold plated

PCB : FR-4 / UL-94V0

IDC Body : Fireproof ABS UL-94V0

IDC Pin : Bronze & Tinned

Lock Bar : Cold rolled steel (SPCC)

Key : Cold rolled steel (SPCC) and PVC moulding

IDC Description : For 22-26 AWG / 0.65 - 0.40mm
For 110 or Krone punch-down Tool

Electrical Specifications:

Insulation Resistance : 500 M Ω (min.)

Contact Resistance : 20 m Ω (max.)

Current Rating : 1.5 Amps .

DC Resistance : 0.1 ohms (max.)

Withstanding Voltage : 1000 VAC RMS @ 60Hz / 1 min.

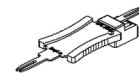
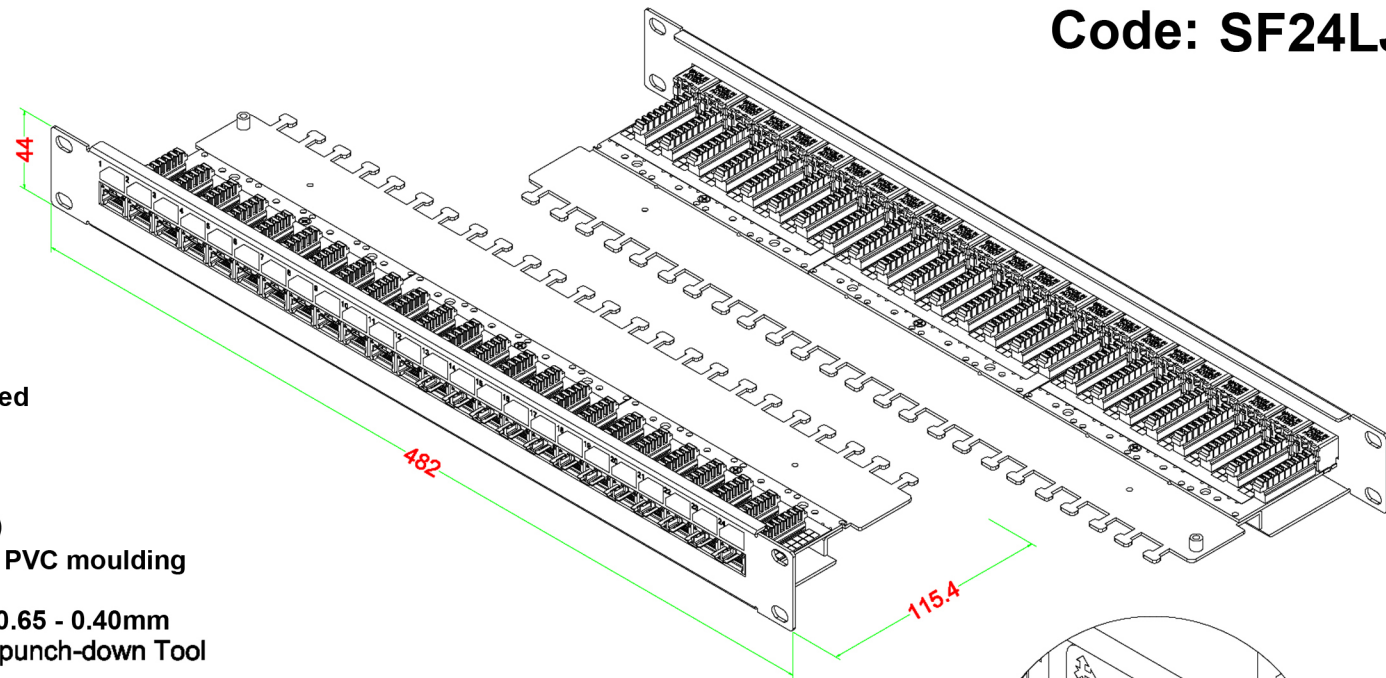
Mechanical Specifications:

IDC Punch Down Cycle : Over 250 Cycles (min.)

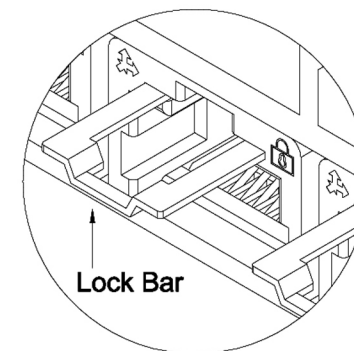
Jack Insertion Cycle : Over 2000 Cycles (min.)

Lock Bar Tension : 15 kgs (min.)

Operation Temperature : -40 $^{\circ}$ C ~ +70 $^{\circ}$ C



Unlock Key (Optional)



TOLERANCE: X \pm 1 · X \pm 0.2 · XX \pm 0.15