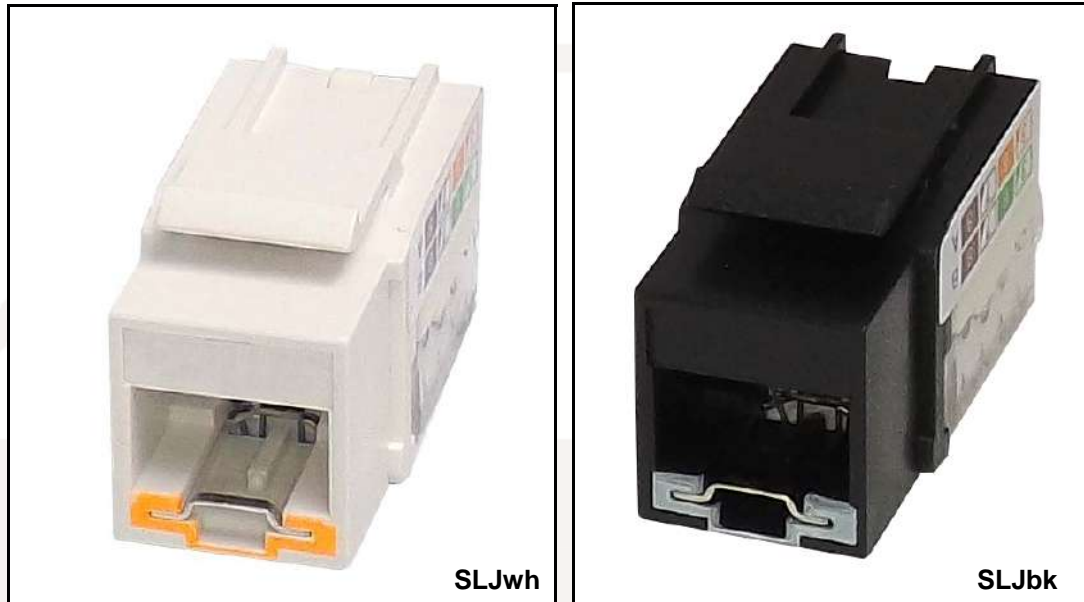


LOKJAC Category 6 tool-less locking keystone



LOKJAC Category 6 tool-less locking keystone (SLJ*) with key for LOKJAC range (TLJ)

Our locking Category 6 jack offers a tool-less keystone solution for almost any Category 6 locking requirement. The locking mechanism insures maximum safety and security for your cables, allowing you to install and secure and, at a later date, release the locked cable as required.

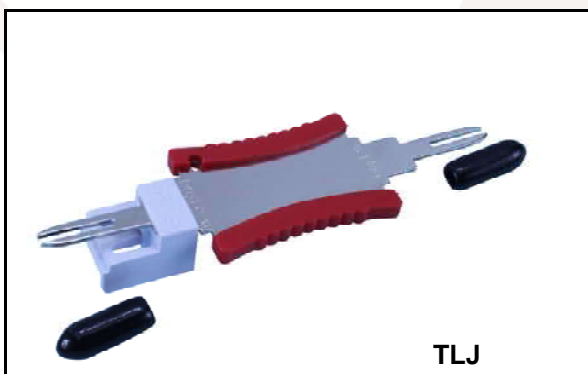
The LOKJAC also offers the facility of high speed tool-less installation, which saves the installer time on time-critical applications. The IDC's are designed with staggered pin gaps, resulting in excellent installation speed and retention force compared to standard tool-less IDC components.

Features

- High performance data throughput, meets Category 6 data transfer rates at permanent link level
- Locked securely into place with LOKJAC key, with easy lock and release mechanism (supplied separately)
- High speed tool-less installation
- Can be terminated with either 110 or LSA+ type tools, if conventional punch down termination is preferred.
- Standard format keystone fits a wide range of panels, adaptors and faceplates
- UTP socket to FCC68 standard
- Available in black and white versions to suit the required application
- Available in Panel mount and D UNIVERSAL versions:- SLJwhpm and SLJbkDpm.
- **N.B. Cannot be used without LOKJAC key (TLJ)**

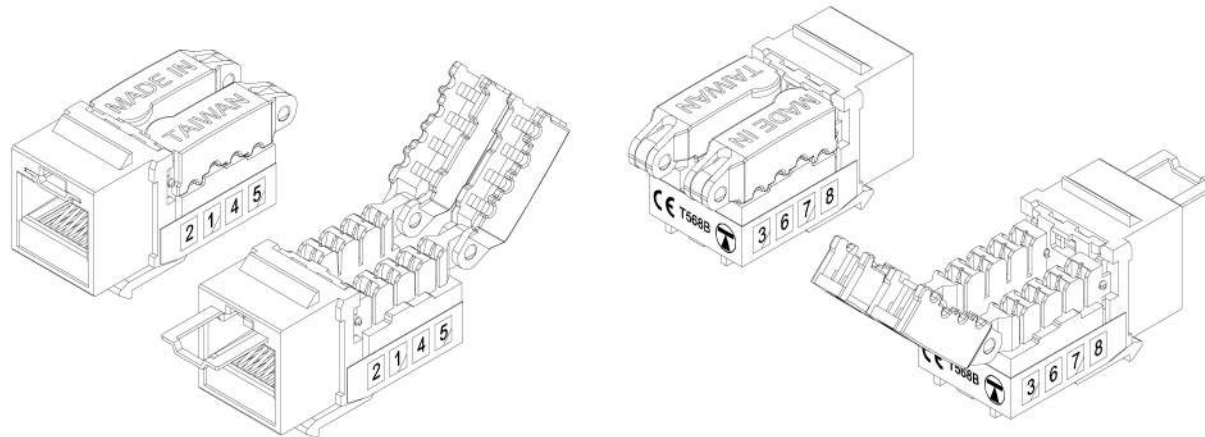
Specifications

- Dimensions: 50 x 20 x 21mm (LxWxH)
- Weight: 10 grams
- Colours available: black, white
- Materials: 50µ"/1.27µm gold plating on contacts
housing: ABS UL94V-0
- Key (TLJ): Dimensions: 84 x 25 x 12 mm (LxWxH)
Weight: 10 grams
- Packaging: in individual polythene bag then in packs of 20

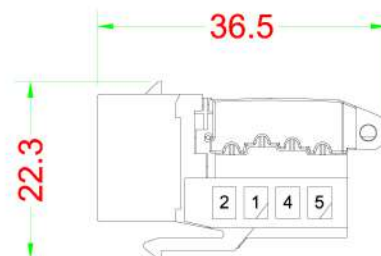
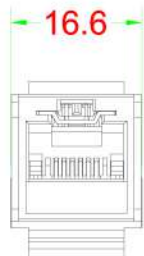


ROHS Compliant

Code: LOKJAC



T568B
 1--WH/OR
 2--OR
 3--WH/GN
 6--GN
 5--WH/BL
 4--BL
 7--WH/BR
 8--BR



Performance:

Meets C6 EIA/TIA 568B Standard.

Materials:

Body : Fireproof ABS UL-94V0
 Jack : 8P8C 50 μ "/1.27 μ m Gold Plating
 PCB : FR-4 / UL-94V0
 IDC Cap : Fireproof PC
 IDC Body : Fireproof ABS UL-94V0
 IDC Pin : Phosphor Bronze & Tinned
 Lock Bar : Metal (SPCC)

IDC Description : For 22-26 AWG.

For 110 or Krone punch-down Tool
 Toolless (when use IDC cap directly)

Electrical Specifications:

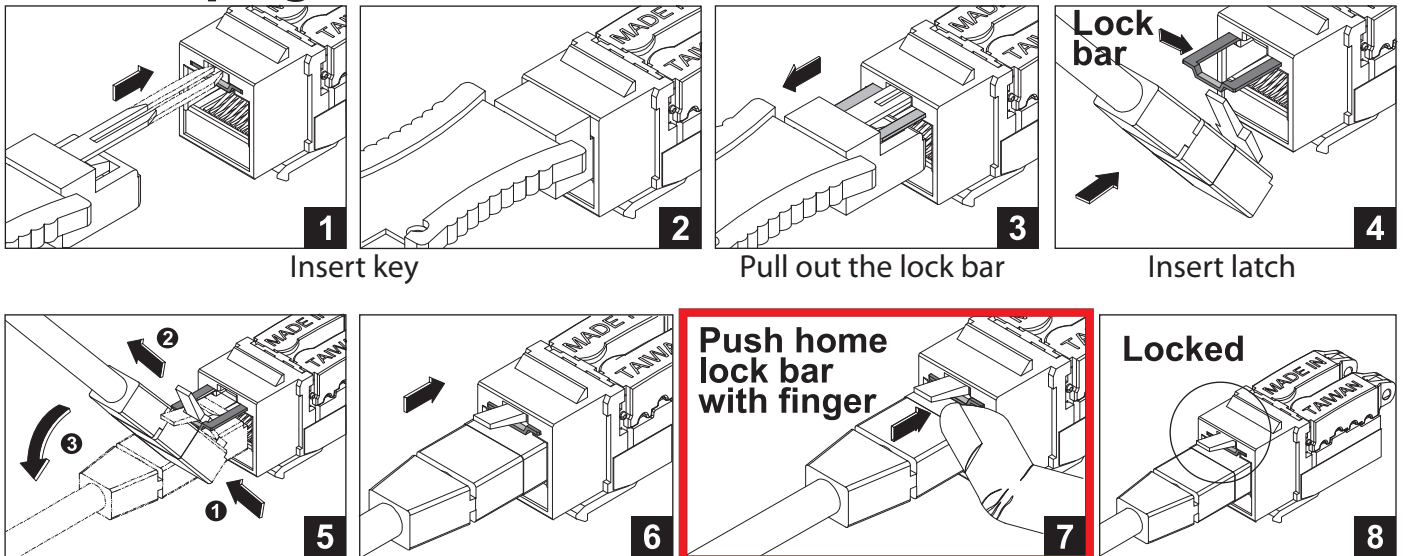
Insulation Resistance : 500M ohms (min.)
 Contact Resistance : 20m ohms (max.)
 Current Rating : 1.5 Amps .
 DC Resistance : 0.1 ohms (max.)



LOKJAC Instruction Manual

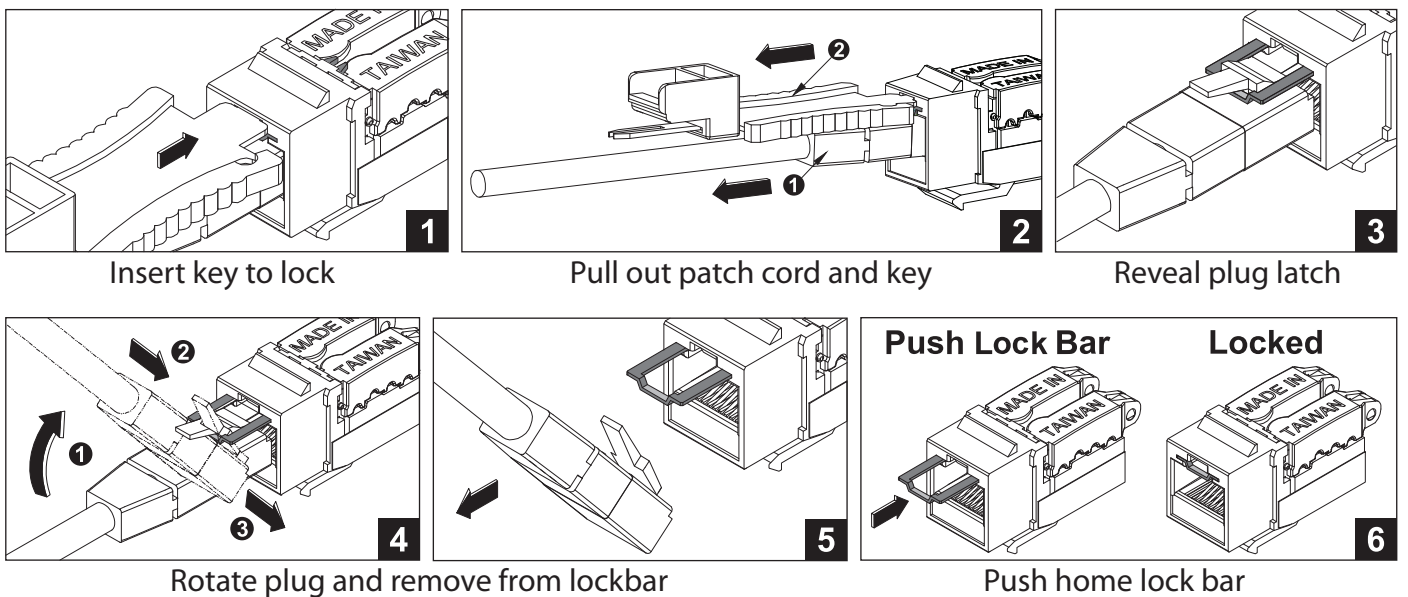


To lock the plug

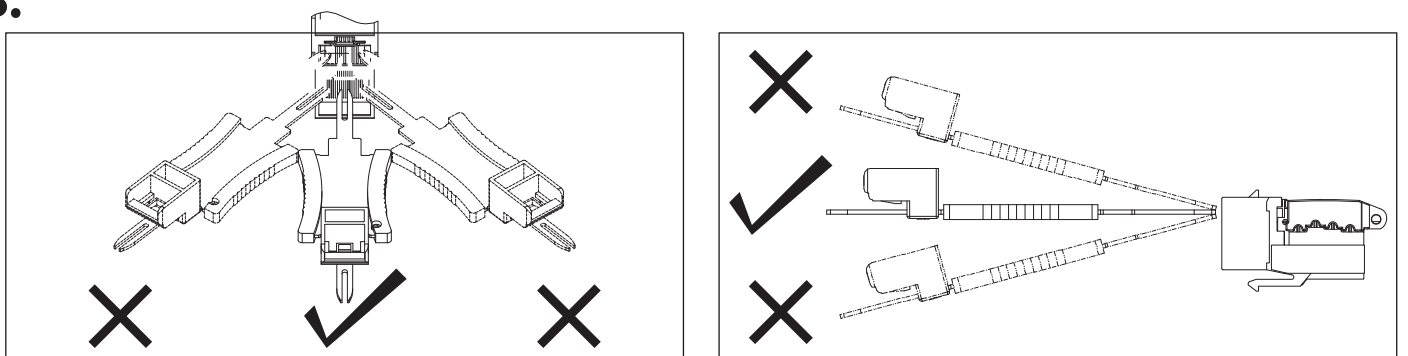


PLUG IS NOT SECURE UNTIL LOCKBAR IS PUSHED HOME

To release the plug



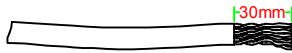
NB.



Key must be inserted perpendicular to the socket

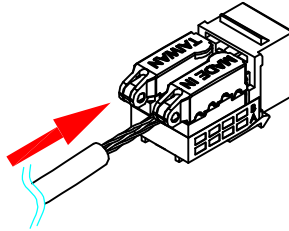
LOKJAC Assembly Instructions

Step 1



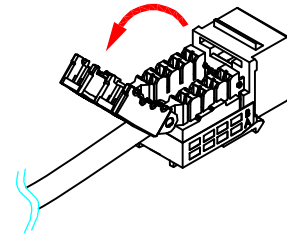
Strip around 30mm of cable PVC jacket.

Step 2



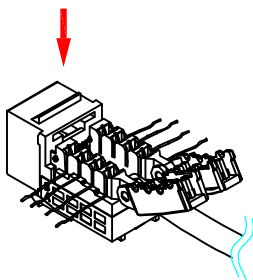
Place the cable between the two IDC rows

Step 3



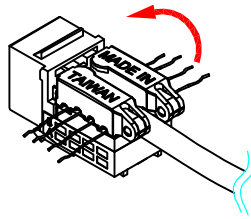
Open cable retention caps

Step 4



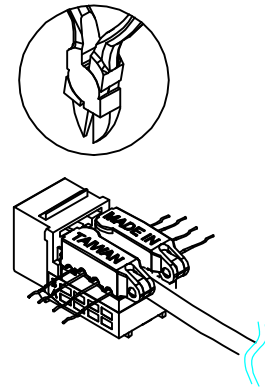
Place the cores onto the IDC gaps following the colour code

Step 5



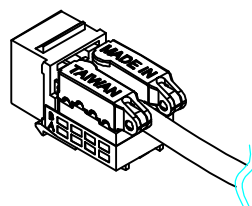
Press down cable retention caps

Step 6



Cut off spare wires

Step 7



Completed.