

SPEEDY RJ45 Crimp Tool



Ratchet Crimp Tool

Our ratchet crimp tool is designed for professional installers using **SPEEDY** RJ45 plugs. This superior quality tool has been specially designed to ensure that **SPEEDY** RJ45 terminations are not only faster than using other plugs but also consistent, reliable and repeatable.

Features

- Crimps **SPEEDY** RJ45 Category 5 and Category 6 8p8c plugs
- On **SPEEDY** RJ45 , crimps and trims surplus wires in a single operation, with a neat, flush finish
- Releasable ratchet action ensures consistent crimps
- Built in cutter and strippers cater for both flat and round cables
- Tool steel die head provides all round connector support and enables a uniform crimp force
- Every termination meets FCC specifications
- ALSO - crimps standard 8p8c (RJ45), 6p6c (RJ12) and 6p4c (RJ11) plugs
- Note: It is recommended that the blade for trimming the surplus wires is replaced after 500 uses

Specifications

- Materials:
 - Crimp head: zinc alloy
 - Tool body: carbon steel
 - Blades: tool steel
 - Handles: thermoplastic rubber
- Colour: red/black
- Weight: 518g

Packaging

Supplied in white boxes or blister packaging

TRCSPDYwb: individual white box

TRCSPDYwb#20: box of 20

TRCSPDYbp: individual blister packaging

TRCSPDYbp#20: box of 20

Note: TRCSPDY is not permitted for sale in the USA

Replacement Cutting Blades



Cutting blades for TRCSPDY crimp tool (TBSPDY)

Supplied as a pack of two cutting blades with fixing screw, this replacement blade kit ensures that crimping performance levels are maintained throughout the life of the **SPEEDY** RJ45 crimp tool.

Note: It is recommended that this blade is renewed on the tool after every 500 terminations

Features

- High performance cutting blade guarantees a flush wire trim on extended conductors

Specifications

- Material: tool steel

Packaging

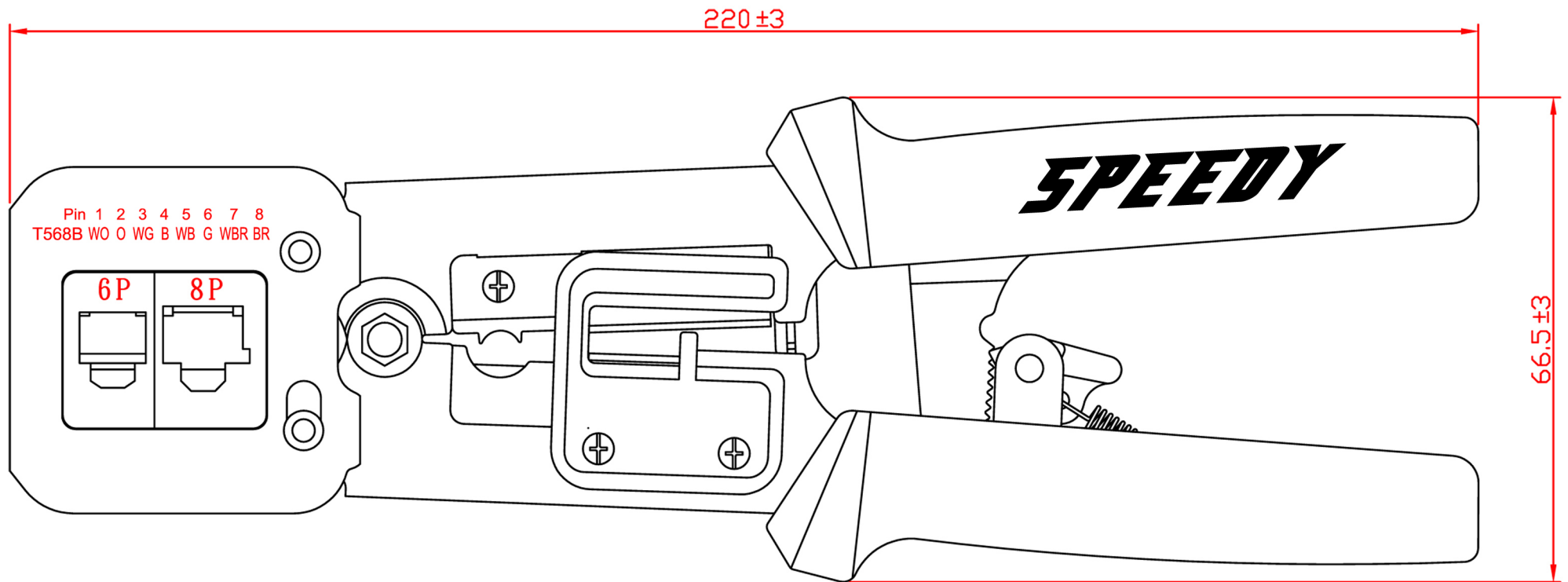
Supplied in a pack of 2 with replacement screw, then in packs of 10



SPEEDY RJ45

ROHS Compliant

Code: TRCSPDY



21/11/2017