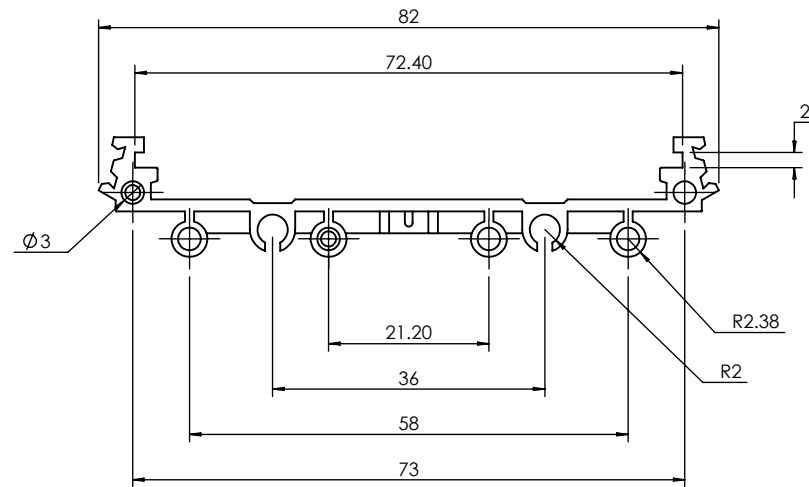
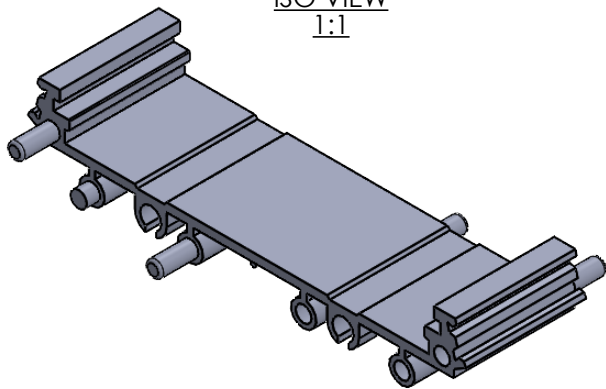


ISO VIEW  
1:1



-	-	-	-	-	-	 <b>CAMDENBOSS</b> CONNECT. ENCLOSE. INNOVATE.	COLOUR. GREY	GUAGE -	DO NOT SCALE DRAWING DEBURR AND BREAK SHARP EDGES	SHEET 1 OF 1
A	01/12/21	970	UPDATE TO MATERIAL AND COLOUR	I.P	S.J.H		FINISH. SMOOTH	TITLE: DIMENSION DRAWING FOR CIME-BE-2250SS	SCALE: 1:1	
O	09/04/14	-	FIRST DRAWN	I.P	-	DRAWING UNITS: MILLIMETERS TOLERANCES +/- 0.2	MATERIAL. PA6 FR (30)	DWG NO. <b>CIME-M-BE-2250SS</b>	A4	
REV	DATE	ECR	CHANGE NOTE	NAME	CHK'D					