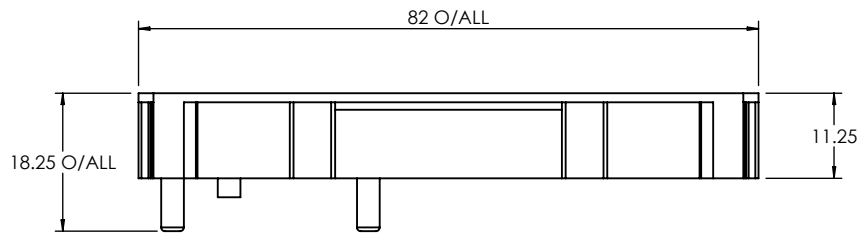
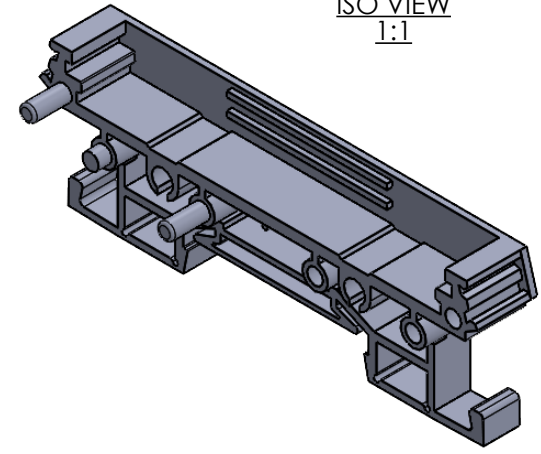


1 2 3 4 5 6

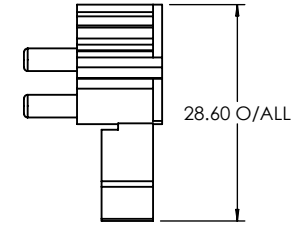
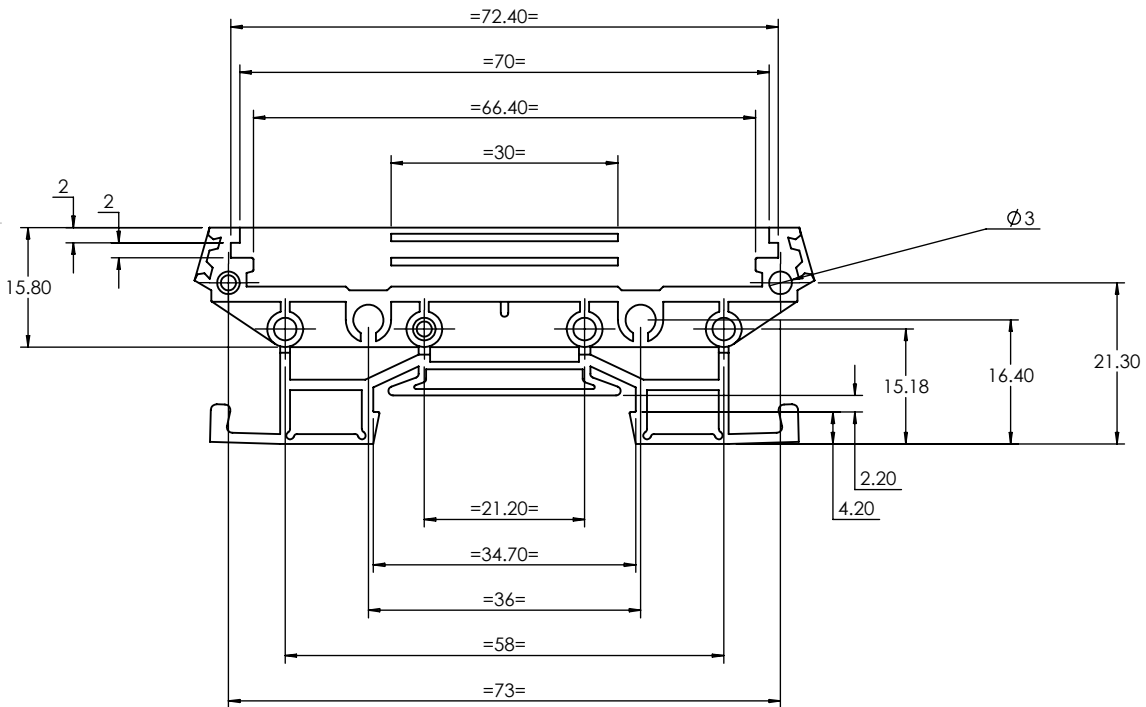
A



ISO VIEW
1:1





B



C

D

-	-	-	-	-	-	 CAMDENBOSS CONNECT. ENCLOSE. INNOVATE.	COLOUR. GREY	GAUGE -	DO NOT SCALE DRAWING DEBURR AND BREAK SHARP EDGES	SHEET 1 OF 1
-	-	-	-	-	-		FINISH. SMOOTH	TITLE: DIMENSION DRAWING FOR CIME-M-SEF1 125S	SCALE. 1:1	
A	01/12/21	970	UPDATE TO MATERIAL AND COLOUR	I.P	S.J.H	DRAWING UNITS: MILLIMETERS	MATERIAL. PA6 FR (30)	DWG NO.	CIME-M-SEF1 125S	A4
O	09/04/14	-	FIRST DRAWN	I.P	-	TOLERANCES +/- 0.2	PROJECTION. 			
REV	DATE	ECR	CHANGE NOTE	NAME	CHK'D					

1 2 3 4 5 6