

Specifications

Pitch:	5.08mm
Type:	90°, Rising Clamp
Poles:	2 to 12
Rated Voltage:	See Table
Rated Current:	See Table
Operational Temperature:	-40°C to +105°C
Withstand Voltage:	2000V AC for 60s
Insulation Resistance:	500MΩ at 500V DC
Wire Range:	See Table
Wire Stripping Length:	6-7mm ± 0.5mm
Screw Size:	M2.5
Max. Torque Value:	0.4Nm
Wave Soldering:	260°C for 5s
Hand Soldering:	350°C for 10s

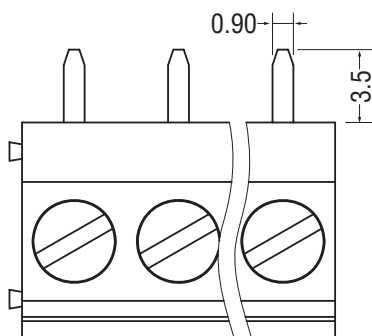
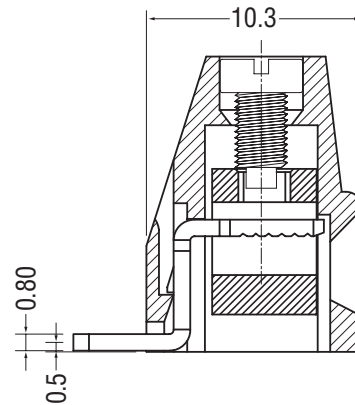
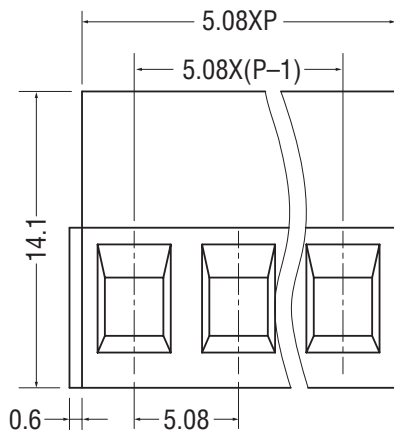


Order Code	Poles	Order Code	Poles
21-3950	2	21-1787	8
21-3951	3	21-1708	9
21-1784	4	21-1788	10
21-1785	5	21-1709	11
21-1786	6	21-1789	12
21-1707	7		

Colour and Materials

Housing Colour:	Green
Housing Material:	PA66
Flame Retardancy:	UL94-V0
Screw:	Zinc-plated steel (A3)
Wire Cage:	Nickel-plated brass
Pin Header:	Tin-plated brass

Standard	Rated Voltage	Rated Current	Wire Range
UL	300V	15A	24-12AWG (0.25-4mm ²)
IEC	250V	18A	2.5mm ²



Measurements are in mm unless stated otherwise.

For further information on pricing, delivery, and long-term stock agreements please get in touch with your local business development contact. Telephone our main office on **01206 838000** or email Sales@Rapidoonline.com.

The information contained in this datasheet is subject to change without notice and replaces all data sheets previously supplied.

