

PCB TERMINAL BLOCKS

PCB
TERMINAL
BLOCKS

INTER-
CONNECTION

FUSES &
FUSE-
HOLDERS

LEDs &
INDICATORS

MINIATURE
SWITCHES

LIMIT &
SAFETY
SWITCHES

CONTROL
PRODUCTS

INTERFACE
MODULES &
SUPPORTS

RELAY
BASES




DIN RAIL
ENCLOSURES

BATTERIES

SOLAR
PANELS

TRANS-
FORMERS

7.5mm & 7.62mm Pitch Pluggable Rising Clamp Terminal Blocks

- 2-12 pole solid block
- Pluggable male-female connectors
- Open & closed headers
- Horizontal female plug style
- Polarised mouldings
- Moulded in green UL94-V0 flame retardant PA
- Professional rising clamp terminals
- 0.2-2.5mm² (30-12AWG) solid & stranded cable
- Anti solder wicking
- Captive screws
- Guided pin alignment
-    approved

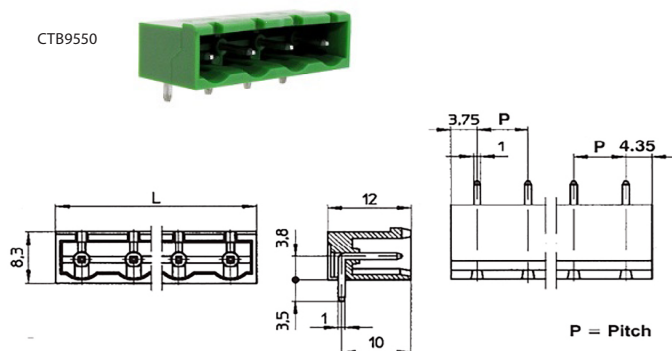
SPECIFICATION

| | |
|---------------------------|-------------------------------|
| Rating | 20A/500V |
| | UL=12A/300V, VDE&IMQ=20A/500V |
| Dielectric strength | ≥3kV |
| Impulse withstand voltage | 6kV |
| Working temperature | 110°C |
| Moulding | UL94-V0 flame retardant PA |
| Pin/terminal | Copper alloy, NI & SN |
| Rising clamp | Copper alloy, NI & SN |
| Screw/torque | M3 steel zinc plated, 0.5Nm |
| Recommended PCB hole size | ø1.4mm |

PCB mounting male horizontal (closed ended) 7.5mm

| TYPE NO. | POLES | LENGTH |
|------------|-------|--------|
| CTB9550/2 | 2 | 15mm |
| CTB9550/3 | 3 | 22.5mm |
| CTB9550/4 | 4 | 30mm |
| CTB9550/5 | 5 | 37.5mm |
| CTB9550/6 | 6 | 45mm |
| CTB9550/7 | 7 | 52.5mm |
| CTB9550/8 | 8 | 60mm |
| CTB9550/9 | 9 | 67.5mm |
| CTB9550/10 | 10 | 75mm |
| CTB9550/11 | 11 | 82.5mm |
| CTB9550/12 | 12 | 90mm |

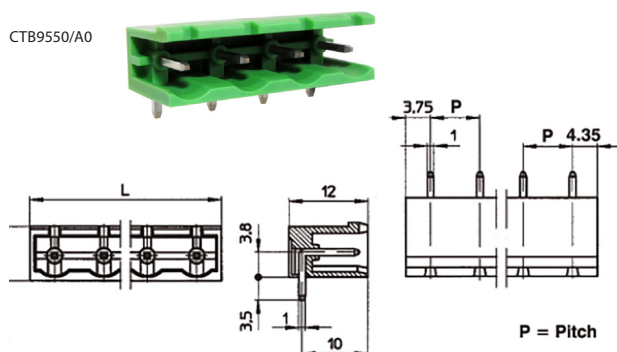
CTB9550



PCB mounting male horizontal (open ended) 7.5mm

| TYPE NO. | POLES | LENGTH |
|--------------|-------|--------|
| CTB9550/2AO | 2 | 13mm |
| CTB9550/3AO | 3 | 20.5mm |
| CTB9550/4AO | 4 | 28mm |
| CTB9550/5AO | 5 | 35.5mm |
| CTB9550/6AO | 6 | 43mm |
| CTB9550/7AO | 7 | 50.5mm |
| CTB9550/8AO | 8 | 58mm |
| CTB9550/9AO | 9 | 65.5mm |
| CTB9550/10AO | 10 | 73mm |
| CTB9550/11AO | 11 | 80.5mm |
| CTB9550/12AO | 12 | 88mm |

CTB9550/AO



CAMDENBOSS

We operate a constant improvement policy, our products are subject to change without notice.

Ver 1.2

+44 (0)1638 716101
info@camdenboss.com
www.camdenboss.com



FM 28614 EMS 613558