

PCB TERMINAL BLOCKS

PCB
TERMINAL
BLOCKS

INTER-
CONNECTION

FUSES &
FUSE-
HOLDERS

LEDs &
INDICATORS

MINIATURE
SWITCHES

LIMIT &
SAFETY
SWITCHES

CONTROL
PRODUCTS

INTERFACE
MODULES &
SUPPORTS

RELAY
BASES




DIN RAIL
ENCLOSURES

BATTERIES

SOLAR
PANELS

TRANS-
FORMERS

7.5mm & 7.62mm Pitch Pluggable Rising Clamp Terminal Blocks

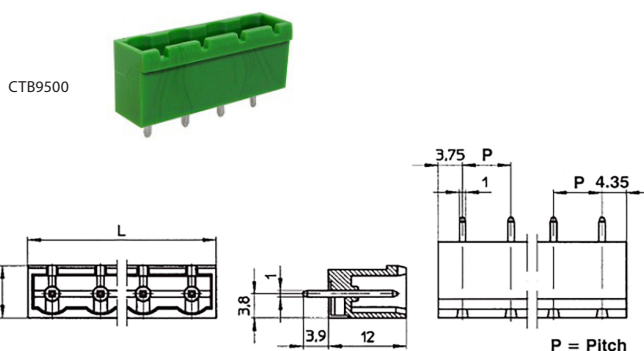
- 2-12 pole solid block
- Pluggable male-female connectors
- Open & closed headers
- Horizontal female plug style
- Polarised mouldings
- Moulded in green UL94-V0 flame retardant PA
- Professional rising clamp terminals
- 0.2-2.5mm² (30-12AWG) solid & stranded cable
- Anti solder wicking
- Captive screws
- Guided pin alignment
-    approved

SPECIFICATION

Rating	20A/500V UL=12A/300V, VDE&IMQ=20A/500V
Dielectric strength	≥3kV
Impulse withstand voltage	6kV
Working temperature	110°C
Moulding	UL94-V0 flame retardant PA
Pin/terminal	Copper alloy, NI & SN
Rising clamp	Copper alloy, NI & SN
Screw/torque	M3 steel zinc plated, 0.5Nm
Recommended PCB hole size	ø1.4mm

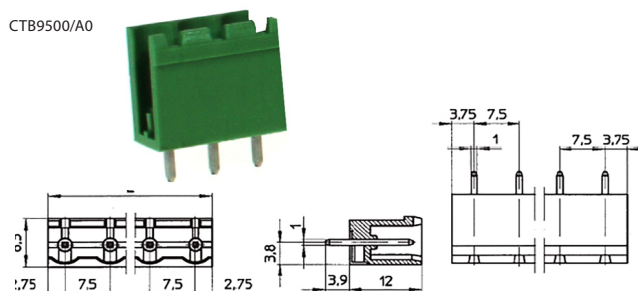
PCB mounting male vertical (closed ended) 7.5mm

TYPE NO.	POLES	LENGTH
CTB9500/2	2	15mm
CTB9500/3	3	22.5mm
CTB9500/4	4	30mm
CTB9500/5	5	37.5mm
CTB9500/6	6	45mm
CTB9500/7	7	52.5mm
CTB9500/8	8	60mm
CTB9500/9	9	67.5mm
CTB9500/10	10	75mm
CTB9500/11	11	82.5mm
CTB9500/12	12	90mm



PCB mounting male vertical (open ended) 7.5mm

TYPE NO.	POLES	LENGTH
CTB9500/2AO	2	13mm
CTB9500/3AO	3	20.5mm
CTB9500/4AO	4	28mm
CTB9500/5AO	5	35.5mm
CTB9500/6AO	6	43mm
CTB9500/7AO	7	50.5mm
CTB9500/8AO	8	58mm
CTB9500/9AO	9	65.5mm
CTB9500/10AO	10	73mm
CTB9500/11AO	11	80.5mm
CTB9500/12AO	12	88mm



CAMDENBOSS

We operate a constant improvement policy, our products are subject to change without notice.

Ver 1.2

+44 (0)1638 716101
info@camdenboss.com
www.camdenboss.com



FM 28614 EMS 613558