



Ferrule; Sleeve for 1.5 mm² / AWG 16; insulated; electro-tin plated

Item No.: 216-224



Ferrule; Sleeve for 1.5 mm² / AWG 16; insulated; electro-tin plated

Marking

RoHS ✓
Compliant

Business data

Supplier	WAGO
Item no.	216-224
GTIN / EAN	4017332277488
Content	1

Notes

Technical data

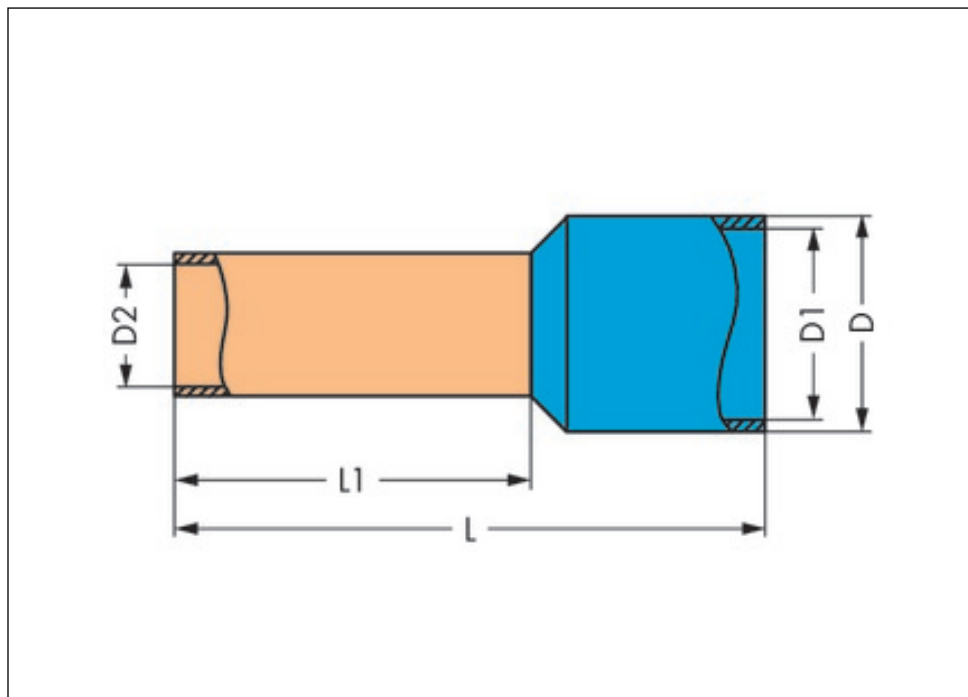
Miscellaneous

Main product function	Ferrule
Strip length	8 mm / 0.31 Inch
Length [mm]	12 [mm]
Length 1 [mm]	6 [mm]
Diameter [mm]	4 [mm]

Technical data	
<i>Diameter 1 [mm]</i>	<i>3.5 [mm]</i>
<i>Diameter 2 [mm]</i>	<i>1.7 [mm]</i>
<i>Color</i>	<i>black</i>
<i>Weight [g]</i>	<i>0.11 [g]</i>
<i>Product type</i>	<i>Accessories</i>

Images & drawings





Address

WAGO Kontakttechnik GmbH & Co. KG

Hansastr. 27

32423 Minden

Telefon: 0571/887-0

Fax: 0571/887-169

<http://www.wago.com>

© WAGO Kontakttechnik GmbH & Co. KG

Technische Änderungen und Irrtümer vorbehalten.