



## Lighting connector; Standard version; Continuous service temperature 105°C

Item No.: 224-101



Lighting connector; Standard version; Continuous service temperature 105°C

### Marking

RoHS ✓  
Compliant

### Business data

Supplier	WAGO
Item no.	224-101
GTIN / EAN	4044918583817
Content	1

### Notes

### Technical data

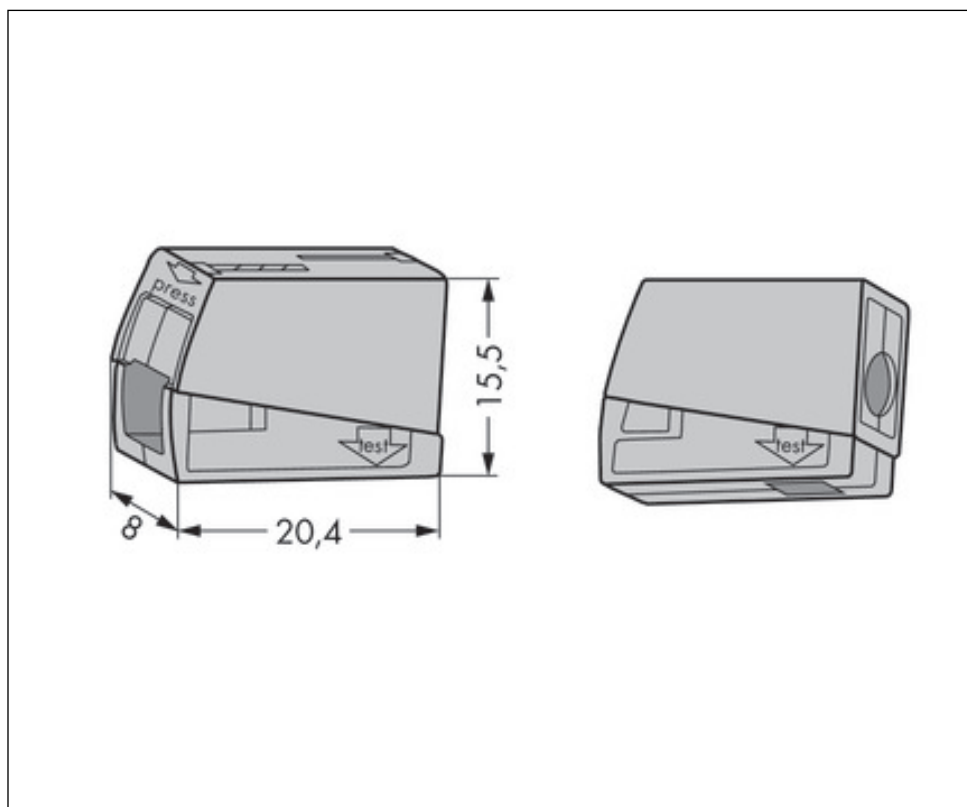
#### Miscellaneous

Safety information 1	In grounded power lines
Rated voltage (II / 2) [V]	400 [V]
Rated impulse voltage (II / 2) [kV]	4 [kV]
Rated current [A]	24 [A]
Legend (ratings)	(II / 2) Overvoltage category II / Pollution degree 2

<b>Technical data</b>	
<i>Type of wiring</i>	<i>Side-entry wiring</i>
<i>Total number of connection points</i>	2
<i>Total number of potentials</i>	1
<i>Connection type (1)</i>	<i>Installation side:</i>
<i>Connection technology</i>	<i>PUSH WIRE®</i>
<i>Actuation type</i>	<i>Push-in</i>
<i>Connectable conductor materials</i>	<i>Copper</i>
<i>Solid conductor</i>	1 ... 2.5 mm <sup>2</sup> / 14 ... 12 AWG
<i>Strip length</i>	9 ... 11 mm / 0.35 ... 0.43 Inch
<i>Connection type (2)</i>	<i>Lighting side:</i>
<i>Connection technology 2</i>	<i>CAGE CLAMP®</i>
<i>Number of connection points (connection type 2)</i>	1
<i>Solid conductor (2)</i>	0.5 ... 2.5 mm <sup>2</sup> / 20 ... 16 AWG
<i>Fine-stranded conductor (2)</i>	0.5 ... 2.5 mm <sup>2</sup> / 20 ... 16 AWG
<i>Width</i>	8 mm / 0.315 Inch
<i>Height</i>	15.5 mm / 0.61 Inch
<i>Depth</i>	20.4 mm / 0.803 Inch
<i>Color</i>	<i>gray</i>
<i>Fire load [MJ]</i>	0.041 [MJ]
<i>Weight [g]</i>	1.778 [g]
<i>Continuous operating temperature up to [°C]</i>	105 [°C]
<i>Main product function</i>	<i>Lighting connector</i>
<i>Product type</i>	<i>Splicing connectors</i>

Images & drawings





#### Address

WAGO Kontakttechnik GmbH & Co. KG

Hansastr. 27

32423 Minden

Telefon: 0571/887-0

Fax: 0571/887-169

<http://www.wago.com>

© WAGO Kontakttechnik GmbH & Co. KG

Technische Änderungen und Irrtümer vorbehalten.