



PCB terminal block; Push-button; 0.5 mm²; Pin spacing 2.54 mm; 2-pole; CAGE CLAMP®

Item No.: 233-502



PCB terminal block; Push-button; 0.5 mm²; Pin spacing 2.54 mm; 2-pole; CAGE CLAMP®

Marking

RoHS ✓
Compliant

Business data

| | |
|------------|---------------|
| Supplier | WAGO |
| Item no. | 233-502 |
| GTIN / EAN | 4045454050269 |
| Content | 1 |
| | |
| | |

Notes

Item description: Terminal strips with push-button actuated CAGE CLAMP® Double solder pins for high mechanical stability on PCB Ideal for in-the-field wiring thanks to simplified push-button actuation Convenient, tool-free operation

Technical data

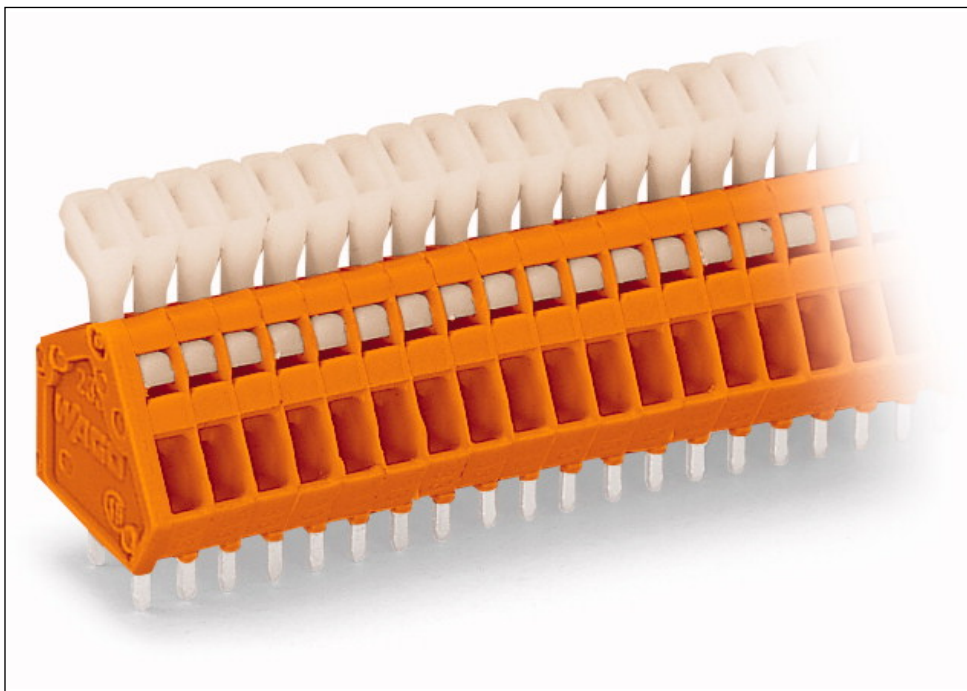
Miscellaneous

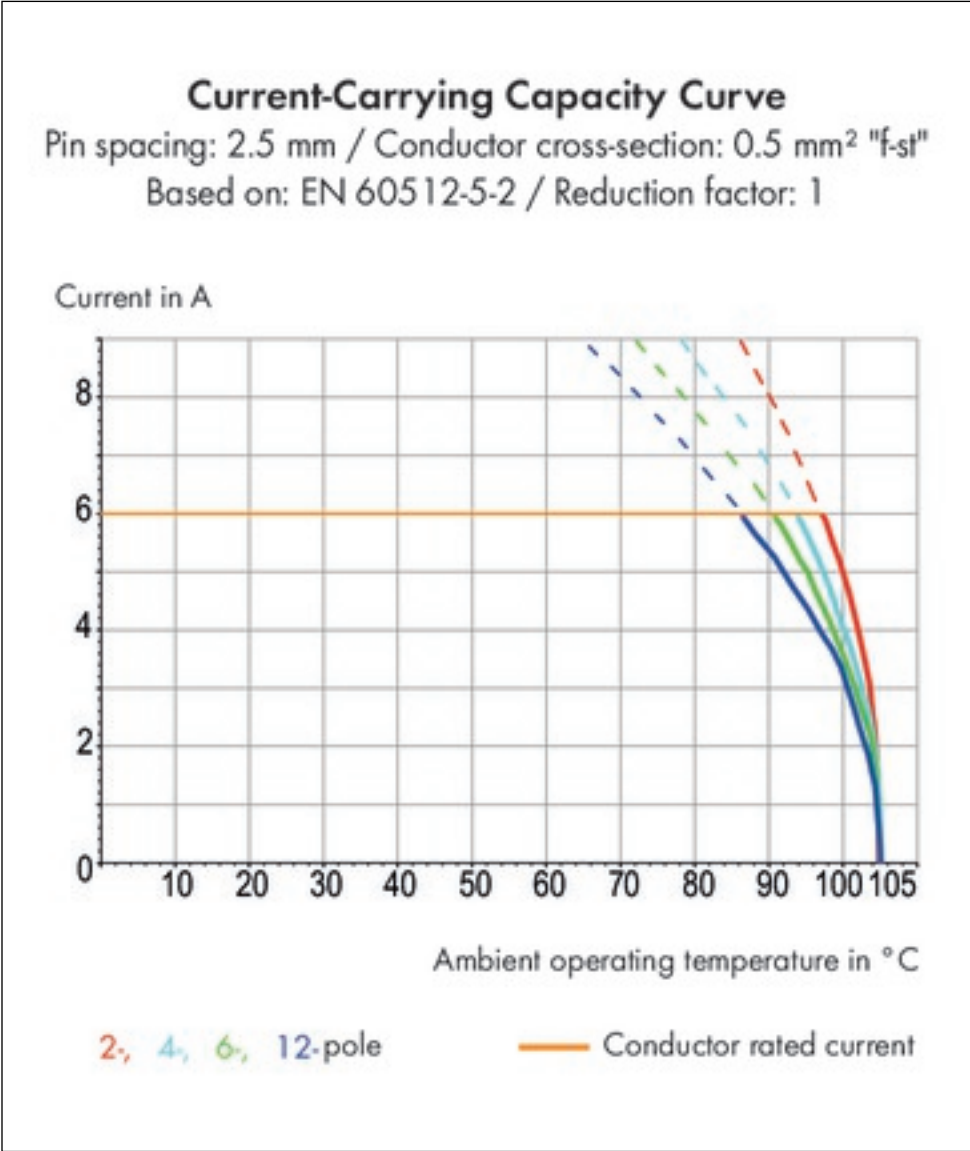
| | |
|------------------------------------------------------|---------------------------|
| <i>Other versions (or variants) can be requested</i> | <i>Other pole numbers</i> |
| | |
| <i>Ratings per</i> | <i>IEC/EN 60664-1</i> |

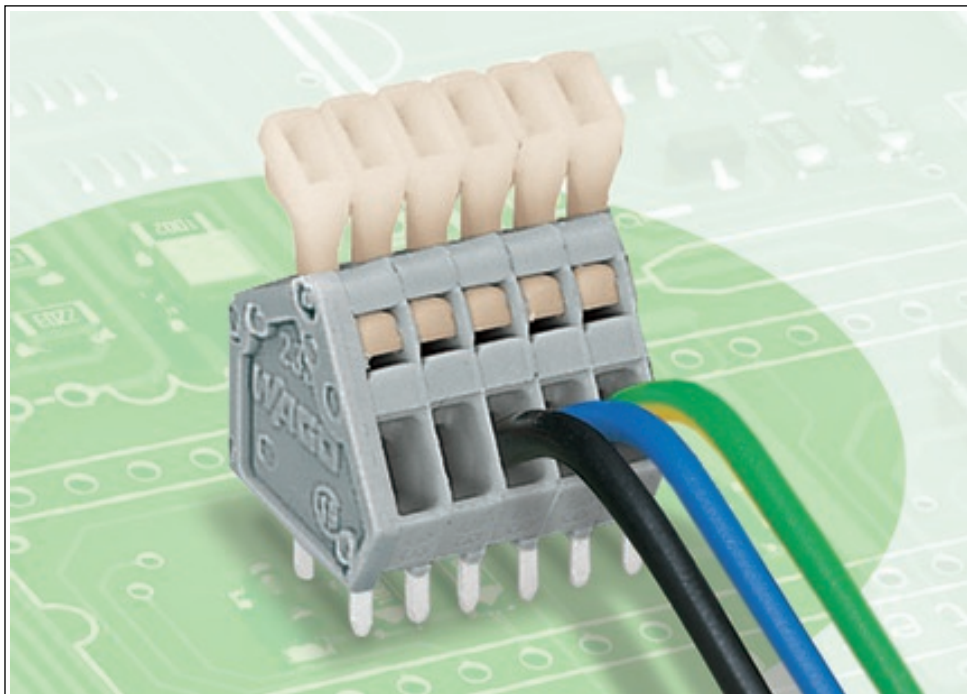
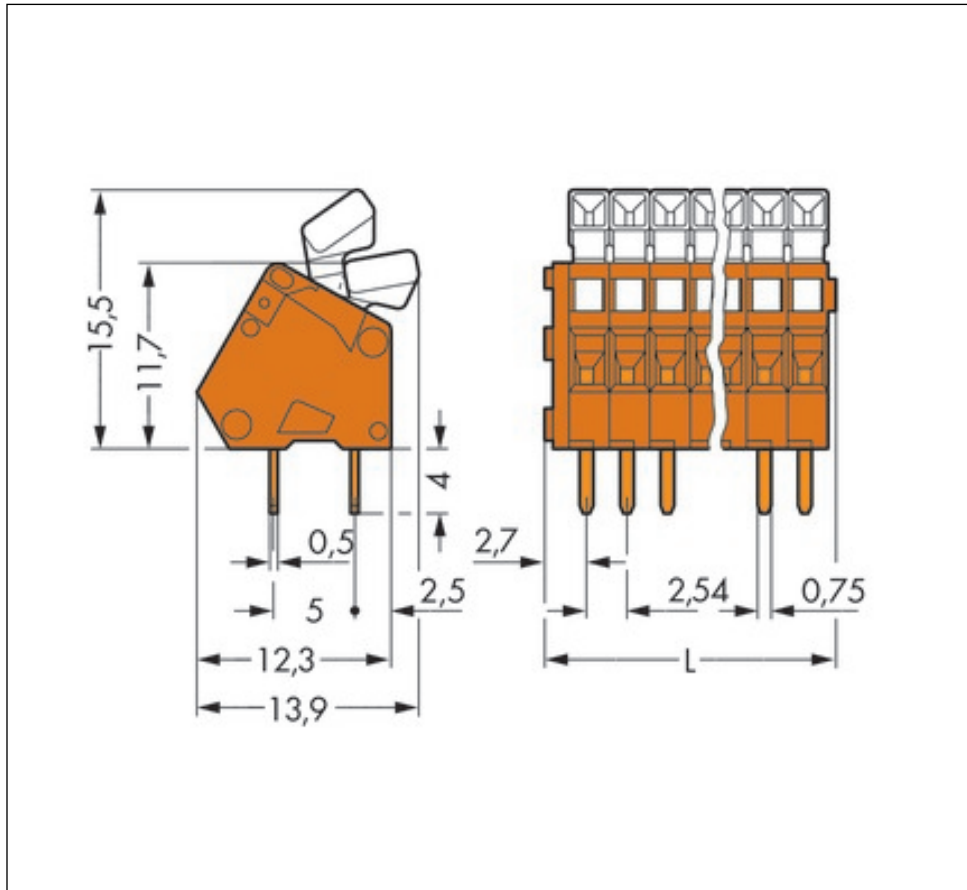
| Technical data | |
|-------------------------------------------------------------|---------------------------------------------------------|
| Rated voltage (III / 3) [V] | 63 [V] |
| Rated impulse voltage (III / 3) [kV] | 2.5 [kV] |
| Rated voltage (III/2) [V] | 160 [V] |
| Rated impulse voltage (III / 2) [kV] | 2.5 [kV] |
| Rated voltage (II / 2) [V] | 320 [V] |
| Rated impulse voltage (II / 2) [kV] | 2.5 [kV] |
| Rated current [A] | 6 [A] |
| Legend (ratings) | (III / 2) Overvoltage category III / Pollution degree 2 |
| Approvals per | UL 1059 |
| Rated voltage UL (Use Group B) [V] | 150 [V] |
| Rated current UL (Use Group B) [A] | 4 [A] |
| Rated voltage CSA (Use Group B) [V] | 150 [V] |
| Rated current CSA (Use Group B) [A] | 4 [A] |
| No. of poles | 2 |
| Total number of connection points | 2 |
| Total number of potentials | 2 |
| Number of connection types | 1 |
| Number of levels | 1 |
| Connection technology | CAGE CLAMP® |
| Actuation type | Operating lever |
| Solid conductor | 0.08 ... 0.5 mm ² / 28 ... 20 AWG |
| Fine-stranded conductor | 0.08 ... 0.5 mm ² / 28 ... 20 AWG |
| Fine-stranded conductor with ferrule with plastic collar | 0.25 mm ² |
| Fine-stranded conductor with ferrule without plastic collar | 0.25 mm ² |
| Strip length | 5 ... 6 mm / 0.2 ... 0.24 Inch |
| Conductor entry angle to the PCB [°] | 30 [°] |
| Pin spacing | 2.54 mm (0.1 in) |
| Width | 7.38 mm / 0.291 Inch |
| Height | 19.5 mm / 0.768 Inch |
| Height from the surface | 15.5 mm / 0.61 Inch |
| Depth | 13.9 mm / 0.547 Inch |
| Solder pin length [mm] | 4 [mm] |
| Solder pin dimensions | 0.5 x 0.75 mm |
| Drilled hole diameter (tolerance) [mm] | 1.1(+ 0.1) [mm] |

| Technical data | |
|--------------------------------------------|------------------------------------------------|
| <i>PCB contact</i> | <i>THT</i> |
| <i>Solder pin arrangement</i> | <i>over the entire terminal strip, in line</i> |
| <i>Number of solder pins per potential</i> | <i>2</i> |
| <i>Color</i> | <i>orange</i> |
| <i>Material group</i> | <i>I</i> |
| <i>Insulating material</i> | <i>Polyamide 66 (PA 66)</i> |
| <i>Flammability class per UL94</i> | <i>V0</i> |
| <i>Clamping spring material</i> | <i>Chrome nickel spring steel (CrNi)</i> |
| <i>Contact material</i> | <i>Electrolytic copper (Ecu)</i> |
| <i>Contact plating</i> | <i>tin-plated</i> |
| <i>Fire load [MJ]</i> | <i>0.018 [MJ]</i> |
| <i>Weight [g]</i> | <i>0.916 [g]</i> |
| <i>Limit temperature range</i> | <i>-60 ... 105 °C</i> |
| <i>Pin spacing from [in]</i> | <i>0.1 [in]</i> |
| <i>Pin spacing from [mm]</i> | <i>2.54 [mm]</i> |
| <i>Main product function</i> | <i>PCB terminal block</i> |
| <i>Product type</i> | <i>PCB terminal blocks</i> |

Images & drawings







Address

WAGO Kontakttechnik GmbH & Co. KG

Hansastr. 27

32423 Minden

Telefon: 0571/887-0

Fax: 0571/887-169

<http://www.wago.com>

© WAGO Kontakttechnik GmbH & Co. KG

Technische Änderungen und Irrtümer vorbehalten.