



PCB terminal block; 2.5 mm²; Pin spacing 5/5.08 mm; 8-pole; CAGE CLAMP®; commoning option

Item No.: 236-408



PCB terminal block; 2.5 mm²; Pin spacing 5/5.08 mm; 8-pole; CAGE CLAMP®; commoning option

Marking

RoHS ✓
Compliant

Business data

| | |
|------------|---------------|
| Supplier | WAGO |
| Item no. | 236-408 |
| GTIN / EAN | 4044918770026 |
| Content | 1 |
| | |
| | |

Notes

Item description: PCB terminal strips with CAGE CLAMP® connection and screwdriver actuation parallel or perpendicular to conductor entry
 Versions with Ex approval
 Mixed-color PCB terminal strips from factory
 Operating tools for factory wiring
 45° conductor entry angle permits a wide range of applications and wiring options
 Set to metric or inch pin spacing by compressing PCB terminal strips or pulling them apart

Technical data

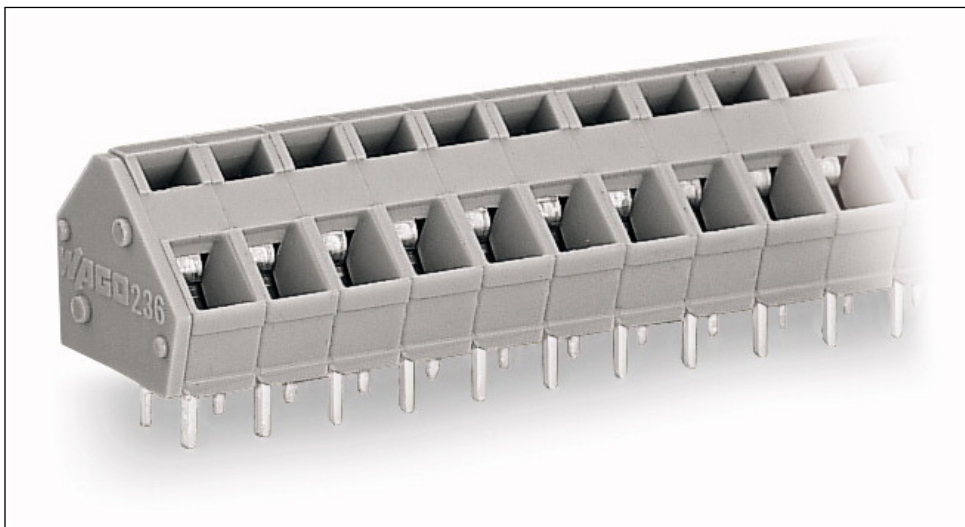
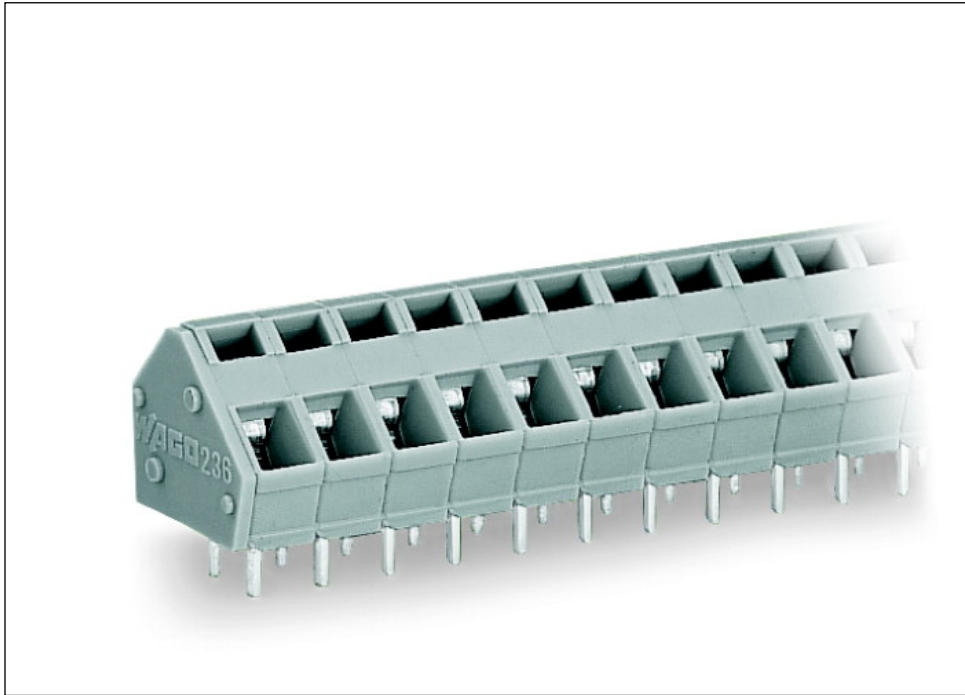
Miscellaneous

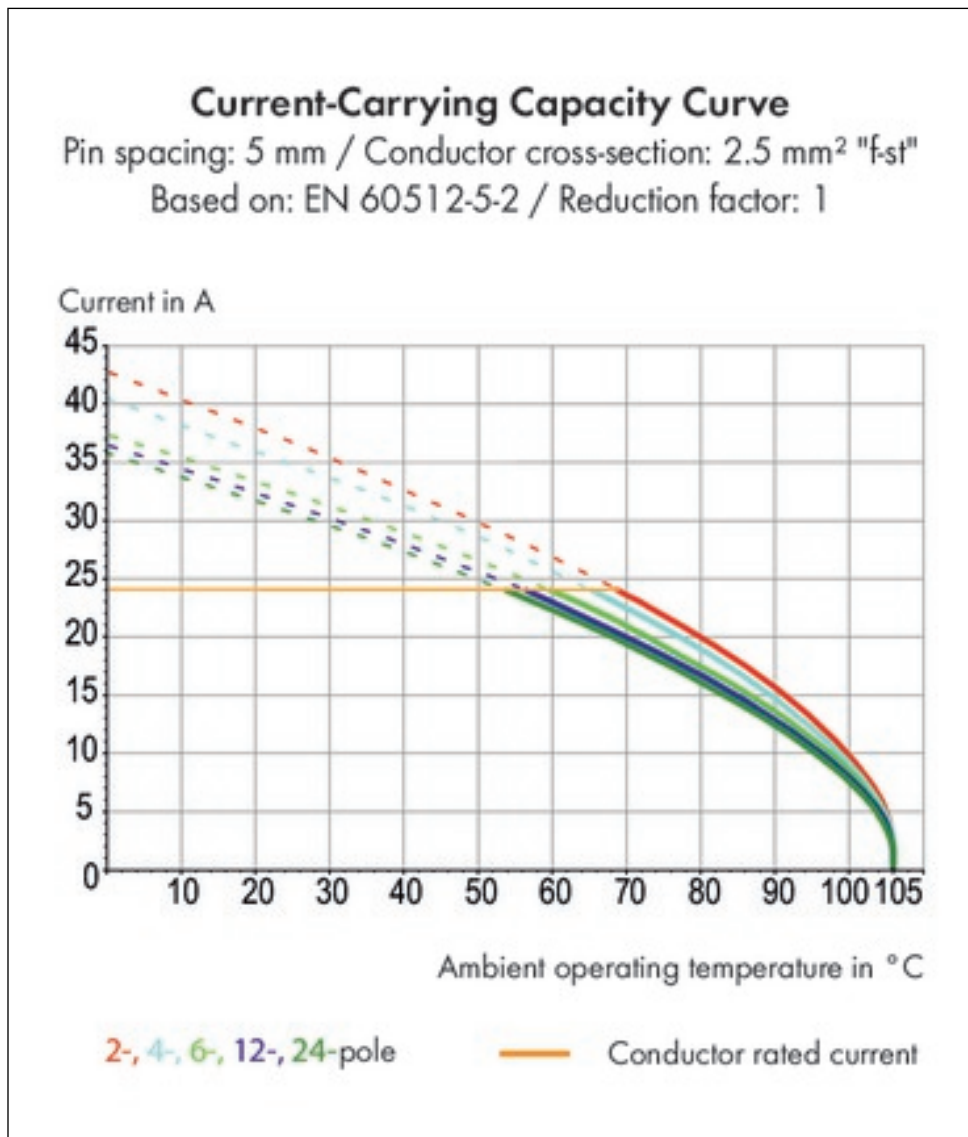
| | |
|---|--------------------|
| Other versions (or variants) can be requested | Other pole numbers |
| | |

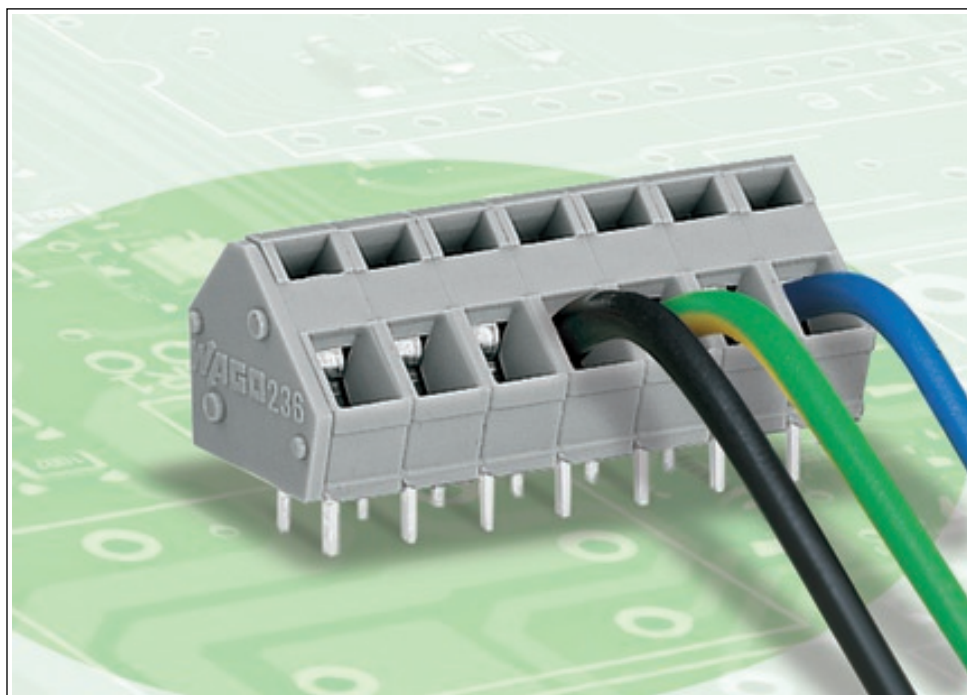
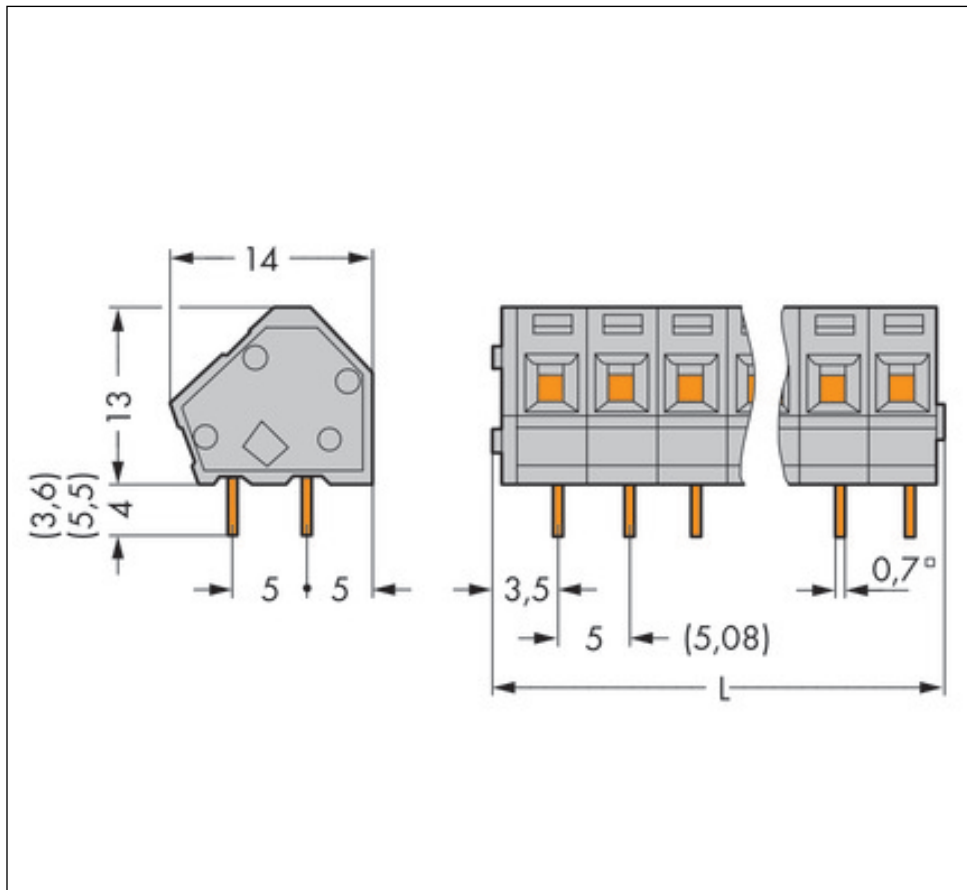
| Technical data | |
|--|--|
| <i>Ratings per</i> | <i>IEC/EN 60664-1</i> |
| <i>Rated voltage (III / 3) [V]</i> | <i>250 [V]</i> |
| <i>Rated impulse voltage (III / 3) [kV]</i> | <i>4 [kV]</i> |
| <i>Rated voltage (III/2) [V]</i> | <i>320 [V]</i> |
| <i>Rated impulse voltage (III / 2) [kV]</i> | <i>4 [kV]</i> |
| <i>Rated voltage (II / 2) [V]</i> | <i>630 [V]</i> |
| <i>Rated impulse voltage (II / 2) [kV]</i> | <i>4 [kV]</i> |
| <i>Rated current [A]</i> | <i>24 [A]</i> |
| <i>Legend (ratings)</i> | <i>(III / 2) Overvoltage category III / Pollution degree 2</i> |
| <i>Approvals per</i> | <i>UL 1059</i> |
| <i>Rated voltage UL (Use Group B) [V]</i> | <i>300 [V]</i> |
| <i>Rated current UL (Use Group B) [A]</i> | <i>15 [A]</i> |
| <i>Rated voltage UL (Use Group D) [V]</i> | <i>300 [V]</i> |
| <i>Rated current UL (Use Group D) [A]</i> | <i>10 [A]</i> |
| <i>Rated voltage CSA (Use Group B) [V]</i> | <i>300 [V]</i> |
| <i>Rated current CSA (Use Group B) [A]</i> | <i>15 [A]</i> |
| <i>Rated voltage CSA (Use Group D) [V]</i> | <i>300 [V]</i> |
| <i>Rated current CSA (Use Group D) [A]</i> | <i>10 [A]</i> |
| <i>No. of poles</i> | <i>8</i> |
| <i>Total number of connection points</i> | <i>8</i> |
| <i>Total number of potentials</i> | <i>8</i> |
| <i>Number of connection types</i> | <i>1</i> |
| <i>Number of levels</i> | <i>1</i> |
| <i>Connection technology</i> | <i>CAGE CLAMP®</i> |
| <i>Actuation type</i> | <i>Operating tool</i> |
| <i>Solid conductor</i> | <i>0.08 ... 2.5 mm² / 28 ... 12 AWG</i> |
| <i>Fine-stranded conductor</i> | <i>0.08 ... 2.5 mm² / 28 ... 12 AWG</i> |
| <i>Fine-stranded conductor with ferrule with plastic collar</i> | <i>0.25 ... 1.5 mm²</i> |
| <i>Fine-stranded conductor with ferrule without plastic collar</i> | <i>0.25 ... 1.5 mm²</i> |
| <i>Strip length</i> | <i>5 ... 6 mm / 0.2 ... 0.24 Inch</i> |
| <i>Conductor entry angle to the PCB [°]</i> | <i>45 [°]</i> |
| <i>Pin spacing</i> | <i>5/5.08 mm / 0.197/0.2 in</i> |
| <i>Width</i> | <i>42.3 mm / 1.665 Inch</i> |
| <i>Height</i> | <i>17 mm / 0.669 Inch</i> |

| Technical data | |
|---|---|
| <i>Height from the surface</i> | 13 mm / 0.512 Inch |
| <i>Depth</i> | 14 mm / 0.551 Inch |
| <i>Solder pin length [mm]</i> | 4 [mm] |
| <i>Solder pin dimensions</i> | 0.7 x 0.7 mm |
| <i>Drilled hole diameter (tolerance) [mm]</i> | 1.1(+ 0.1) [mm] |
| <i>PCB contact</i> | THT |
| <i>Solder pin arrangement</i> | over the entire terminal strip, in line |
| <i>Number of solder pins per potential</i> | 2 |
| <i>Color</i> | gray |
| <i>Material group</i> | I |
| <i>Insulating material</i> | Polyamide 66 (PA 66) |
| <i>Flammability class per UL94</i> | V0 |
| <i>Clamping spring material</i> | Chrome nickel spring steel (CrNi) |
| <i>Contact material</i> | Electrolytic copper (Ecu) |
| <i>Contact plating</i> | tin-plated |
| <i>Fire load [MJ]</i> | 0.1 [MJ] |
| <i>Weight [g]</i> | 7.164 [g] |
| <i>Limit temperature range</i> | -60 ... 105 °C |
| <i>Pin spacing up to [in]</i> | 0.2 [in] |
| <i>Pin spacing up to [mm]</i> | 5.08 [mm] |
| <i>Pin spacing from [in]</i> | 0.197 [in] |
| <i>Pin spacing from [mm]</i> | 5 [mm] |
| <i>Main product function</i> | PCB terminal block |
| <i>Product type</i> | PCB terminal blocks |

Images & drawings







Address

WAGO Kontakttechnik GmbH & Co. KG

Hansastr. 27

32423 Minden

Telefon: 0571/887-0

Fax: 0571/887-169

<http://www.wago.com>

© WAGO Kontakttechnik GmbH & Co. KG

Technische Änderungen und Irrtümer vorbehalten.