



MICRO PUSH WIRE® connector for junction boxes; 4-conductor terminal block

Item No.: 243-304



MICRO PUSH WIRE® connector for junction boxes; 4-conductor terminal block

Marking

RoHS ✓
Compliant

Business data

Supplier	WAGO
Item no.	243-304
GTIN / EAN	4044918440691
Content	1

Notes

Safety information 1: When using conductors of the same diameter, $\varnothing 0.5 \text{ mm} / 24 \text{ AWG}$ or $\varnothing 1 \text{ mm} / 18 \text{ AWG}$ are also possible.

Technical data

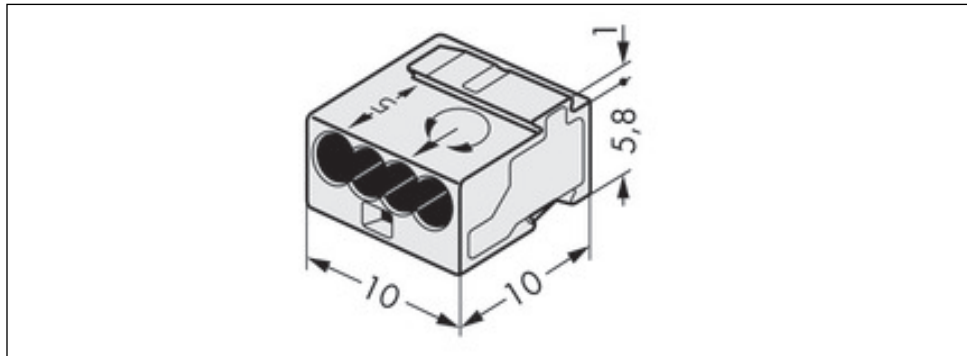
Miscellaneous

Rated voltage (II / 2) [V]	100 [V]
Rated impulse voltage (II / 2) [kV]	1.5 [kV]
Rated current [A]	6 [A]

Technical data	
<i>Legend (ratings)</i>	<i>(II / 2) Overvoltage category II / Pollution degree 2</i>
<i>Type of wiring</i>	<i>Side-entry wiring</i>
<i>Total number of connection points</i>	<i>4</i>
<i>Total number of potentials</i>	<i>1</i>
<i>Number of connection types</i>	<i>1</i>
<i>Number of levels</i>	<i>1</i>
<i>Connection technology</i>	<i>PUSH WIRE®</i>
<i>Actuation type</i>	<i>Push-in</i>
<i>Connectable conductor materials</i>	<i>Copper</i>
<i>Conductor diameter</i>	<i>0.6 ... 0.8 mm / ... AWG</i>
<i>Strip length</i>	<i>5 ... 6 mm / 0.2 ... 0.24 Inch</i>
<i>Width</i>	<i>10 mm / 0.394 Inch</i>
<i>Height</i>	<i>6.8 mm / 0.268 Inch</i>
<i>Depth</i>	<i>10 mm / 0.394 Inch</i>
<i>Color</i>	<i>light gray</i>
<i>Fire load [MJ]</i>	<i>0.012 [MJ]</i>
<i>Weight [g]</i>	<i>0.752 [g]</i>
<i>Ambient temperature (operation)</i>	<i>60 °C</i>
<i>Continuous operating temperature up to [°C]</i>	<i>105 [°C]</i>
<i>Main product function</i>	<i>Steckklemme</i>
<i>Product type</i>	<i>Splicing connectors</i>

Images & drawings





Address

WAGO Kontakttechnik GmbH & Co. KG

Hansastr. 27

32423 Minden

Telefon: 0571/887-0

Fax: 0571/887-169

<http://www.wago.com>

© WAGO Kontakttechnik GmbH & Co. KG

Technische Änderungen und Irrtümer vorbehalten.