



PCB terminal block; operating lever; 16 mm²; Pin spacing 10 mm; 3-pole; CAGE CLAMP®

Item No.: 2716-103



PCB terminal block; operating lever; 16 mm²; Pin spacing 10 mm; 3-pole; CAGE CLAMP®

Marking

RoHS ✓
Compliant

Business data

| | |
|------------|---------------|
| Supplier | WAGO |
| Item no. | 2716-103 |
| GTIN / EAN | 4045454739270 |
| Content | 1 |
| | |
| | |

Notes

Item description: High-current terminal strips with lever-actuated CAGE CLAMP® Tool-free opening and closing – fingers open/close levers Several clamping units can be held open simultaneously – convenient for terminating multi-core cables Four solder pins per contact point for high mechanical stability 600V UL for 15mm pin spacing Pin and dimensions compatible to high-current, screw-type terminal blocks

Technical data

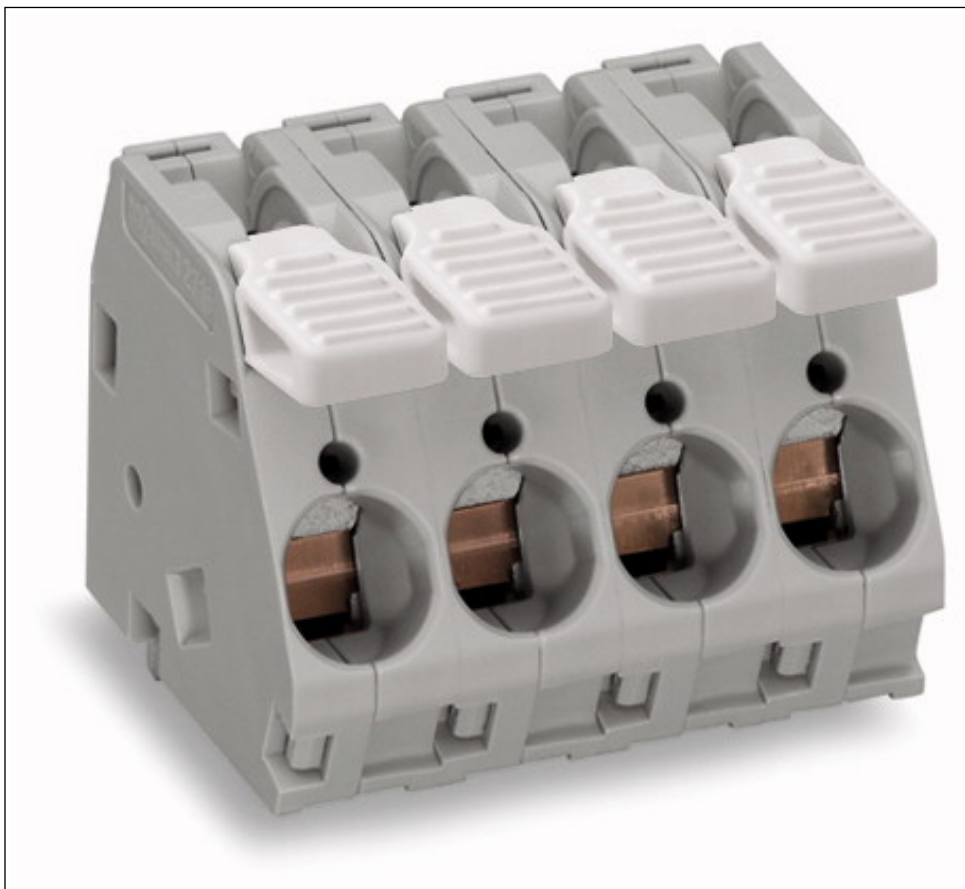
Miscellaneous

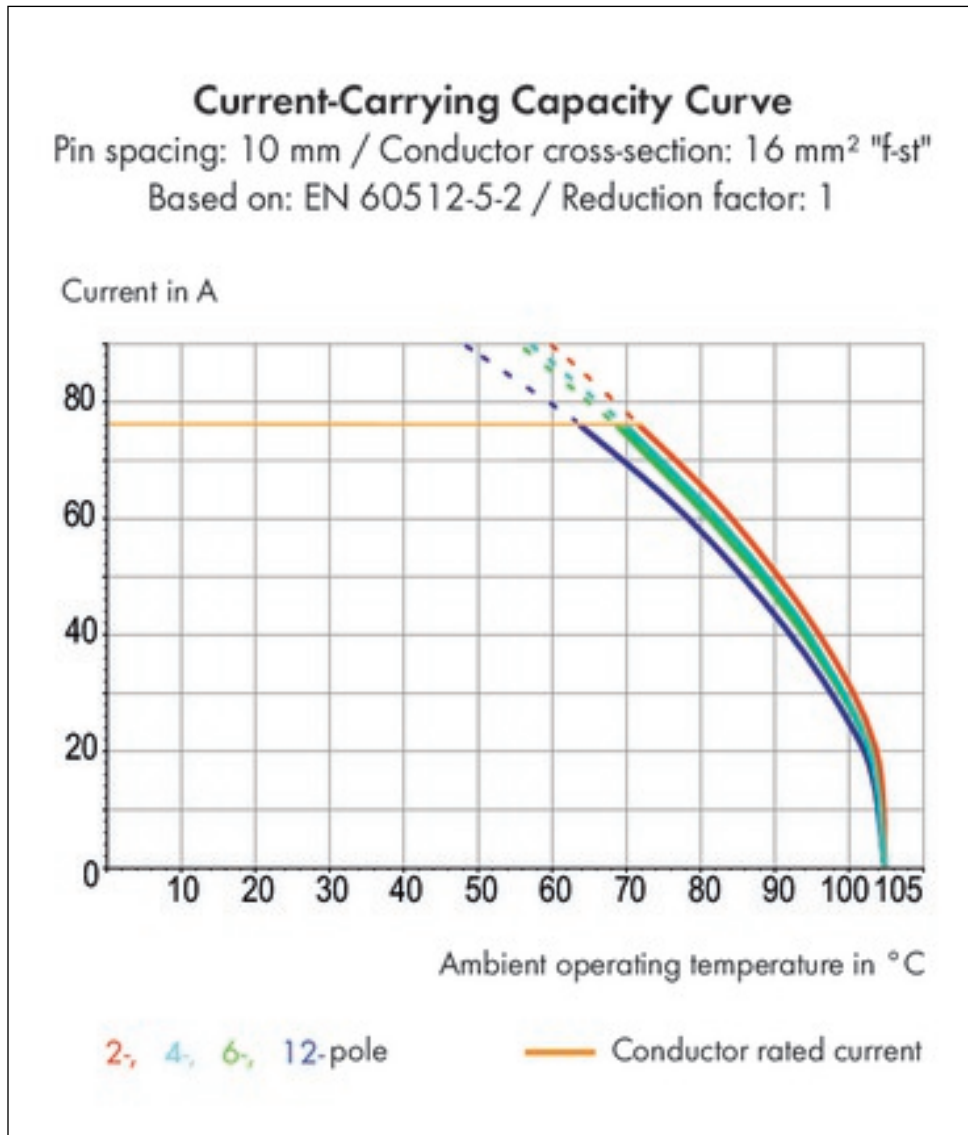
| | |
|--|---------------------------|
| <i>Other versions (or variants) can be requested</i> | <i>Other pole numbers</i> |
| | |

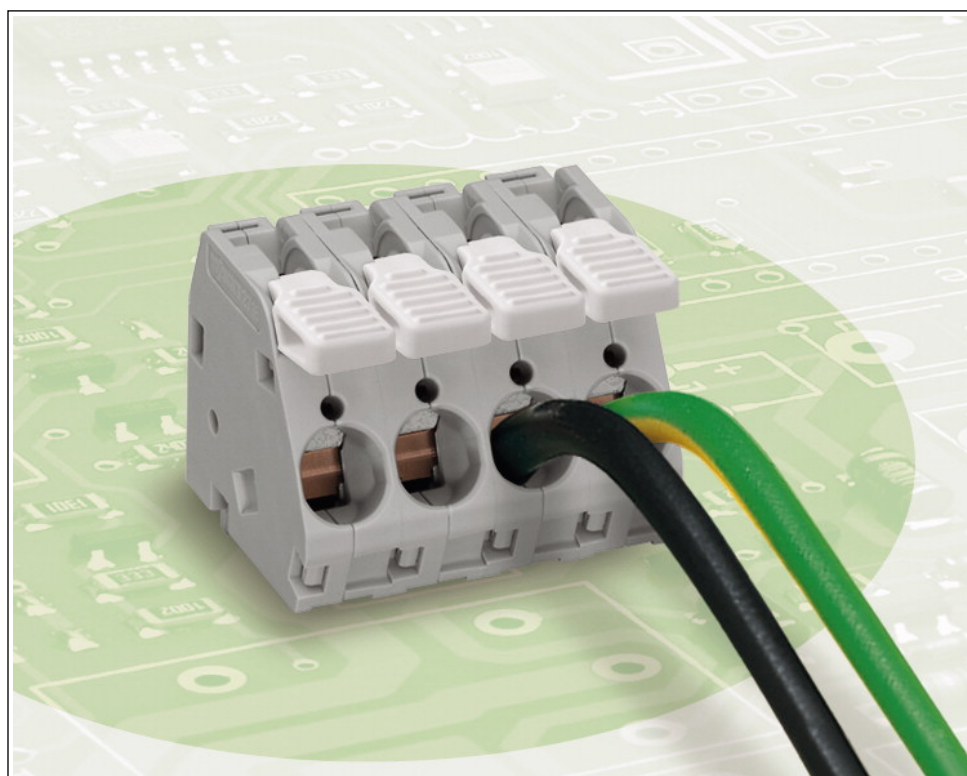
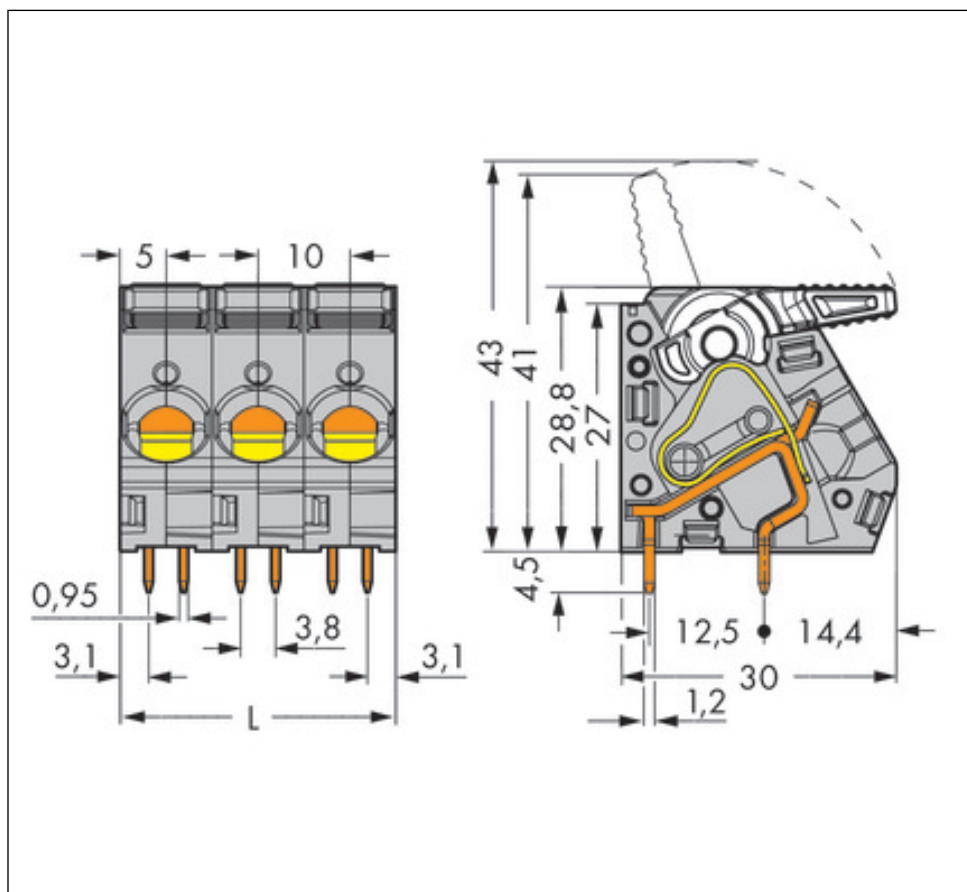
| Technical data | |
|--|--|
| <i>Ratings per</i> | <i>IEC/EN 60664-1</i> |
| <i>Rated voltage (III / 3) [V]</i> | <i>320 [V]</i> |
| <i>Rated impulse voltage (III / 3) [kV]</i> | <i>4 [kV]</i> |
| <i>Rated voltage (III/2) [V]</i> | <i>320 [V]</i> |
| <i>Rated impulse voltage (III / 2) [kV]</i> | <i>4 [kV]</i> |
| <i>Rated voltage (II / 2) [V]</i> | <i>630 [V]</i> |
| <i>Rated impulse voltage (II / 2) [kV]</i> | <i>4 [kV]</i> |
| <i>Rated current [A]</i> | <i>76 [A]</i> |
| <i>Legend (ratings)</i> | <i>(III / 2) Overvoltage category III / Pollution degree 2</i> |
| <i>Approvals per</i> | <i>UL 1059</i> |
| <i>Rated voltage UL (Use Group B) [V]</i> | <i>300 [V]</i> |
| <i>Rated current UL (Use Group B) [A]</i> | <i>55 [A]</i> |
| <i>Rated voltage UL (Use Group C) [V]</i> | <i>150 [V]</i> |
| <i>Rated current UL (Use Group C) [A]</i> | <i>55 [A]</i> |
| <i>Rated voltage UL (Use Group D) [V]</i> | <i>300 [V]</i> |
| <i>Rated current UL (Use Group D) [A]</i> | <i>10 [A]</i> |
| <i>No. of poles</i> | <i>3</i> |
| <i>Total number of connection points</i> | <i>3</i> |
| <i>Total number of potentials</i> | <i>3</i> |
| <i>Number of connection types</i> | <i>1</i> |
| <i>Number of levels</i> | <i>1</i> |
| <i>Connection technology</i> | <i>CAGE CLAMP®</i> |
| <i>Actuation type</i> | <i>Operating lever</i> |
| <i>Solid conductor</i> | <i>1.5 ... 16 mm² / 16 ... 6 AWG</i> |
| <i>Fine-stranded conductor</i> | <i>1.5 ... 16 mm² / 16 ... 6 AWG</i> |
| <i>Fine-stranded conductor with ferrule with plastic collar</i> | <i>1.5 ... 10 mm²</i> |
| <i>Fine-stranded conductor with ferrule without plastic collar</i> | <i>1.5 ... 10 mm²</i> |
| <i>Strip length</i> | <i>12 ... 13 mm / 0.47 ... 0.51 Inch</i> |
| <i>Conductor entry angle to the PCB [°]</i> | <i>30 [°]</i> |
| <i>Pin spacing</i> | <i>10 mm (0.394 in)</i> |
| <i>Width</i> | <i>31.5 mm / 1.24 Inch</i> |
| <i>Height</i> | <i>33.3 mm / 1.311 Inch</i> |
| <i>Height from the surface</i> | <i>28.8 mm / 1.134 Inch</i> |
| <i>Depth</i> | <i>30 mm / 1.181 Inch</i> |

| Technical data | |
|---|--|
| <i>Solder pin length [mm]</i> | <i>4.5 [mm]</i> |
| <i>Solder pin dimensions</i> | <i>0.95 x 1.2 mm</i> |
| <i>Drilled hole diameter (tolerance) [mm]</i> | <i>1.6(+ 0.1) [mm]</i> |
| <i>PCB contact</i> | <i>THT</i> |
| <i>Solder pin arrangement</i> | <i>over the entire terminal strip, in line</i> |
| <i>Number of solder pins per potential</i> | <i>4</i> |
| <i>Color</i> | <i>gray</i> |
| <i>Material group</i> | <i>I</i> |
| <i>Insulating material</i> | <i>Polyamide 66 (PA 66)</i> |
| <i>Flammability class per UL94</i> | <i>V0</i> |
| <i>Clamping spring material</i> | <i>Chrome nickel spring steel (CrNi)</i> |
| <i>Contact material</i> | <i>Electrolytic copper (Ecu)</i> |
| <i>Contact plating</i> | <i>tin-plated</i> |
| <i>Fire load [MJ]</i> | <i>0.452 [MJ]</i> |
| <i>Weight [g]</i> | <i>26.771 [g]</i> |
| <i>Limit temperature range</i> | <i>-60 ... 105 °C</i> |
| <i>Pin spacing from [in]</i> | <i>0.394 [in]</i> |
| <i>Pin spacing from [mm]</i> | <i>10 [mm]</i> |
| <i>Main product function</i> | <i>PCB terminal block</i> |
| <i>Product type</i> | <i>PCB terminal blocks</i> |

Images & drawings







Address

WAGO Kontakttechnik GmbH & Co. KG

Hansastr. 27

32423 Minden

Telefon: 0571/887-0

Fax: 0571/887-169

<http://www.wago.com>

© WAGO Kontakttechnik GmbH & Co. KG

Technische Änderungen und Irrtümer vorbehalten.