



2-conductor diode terminal block; with diode 1N5408

Item No.: 281-603/281-401



2-conductor diode terminal block; with diode 1N5408

Marking

RoHS
Compliant

Business data

Supplier	WAGO
Item no.	281-603/281-401
GTIN / EAN	4045454196929
Content	1

Notes

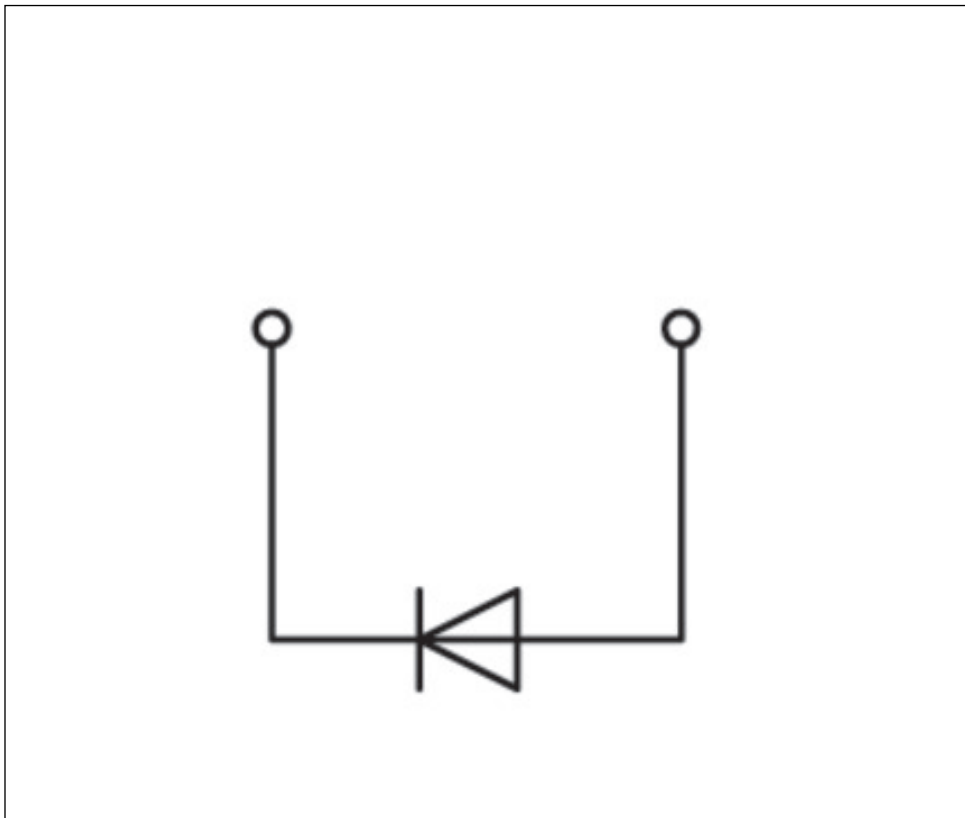
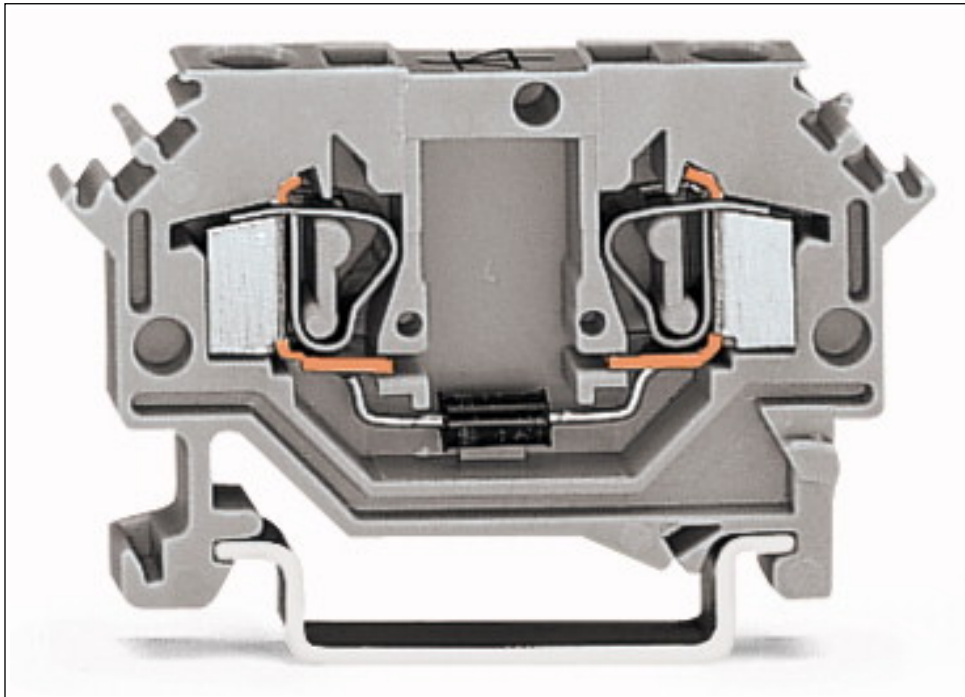
Technical data

Miscellaneous

Ratings per	IEC/EN 60947-7-1
Rated current [A]	1.5 [A]
Nominal voltage [V]	250 [V]
Reverse voltage [V]	1000 [V]
Type of wiring	Front-entry wiring

Technical data	
<i>Total number of connection points</i>	2
<i>Total number of potentials</i>	1
<i>Number of levels</i>	1
<i>Connection technology</i>	CAGE CLAMP®
<i>Actuation type</i>	Operating tool
<i>Connectable conductor materials</i>	Copper
<i>Solid conductor</i>	0.08 ... 4 mm ² / 28 ... 12 AWG
<i>Fine-stranded conductor</i>	0.08 ... 4 mm ² / 28 ... 12 AWG
<i>Strip length</i>	9 ... 10 mm / 0.35 ... 0.39 Inch
<i>Width</i>	6 mm / 0.236 Inch
<i>Height from upper-edge of DIN-35 rail</i>	29 mm / 1.142 Inch
<i>Depth</i>	53 mm / 2.087 Inch
<i>Design</i>	horizontal
<i>Type of mounting</i>	Carrier rail 35 x 15
<i>Marking level</i>	Side marking
<i>Color</i>	gray
<i>Insulating material</i>	Polyamide 66 (PA 66)
<i>Fire load [MJ]</i>	0.13 [MJ]
<i>Weight [g]</i>	7.905 [g]
<i>Main product function</i>	Diode terminal block
<i>Product type</i>	Function modules

Images & drawings



Address

WAGO Kontakttechnik GmbH & Co. KG

Hansastr. 27

32423 Minden

Telefon: 0571/887-0

Fax: 0571/887-169

<http://www.wago.com>

© WAGO Kontakttechnik GmbH & Co. KG

Technische Änderungen und Irrtümer vorbehalten.