



**Switching module; with changeover rocker switch; Switching voltage: 250 VAC; Switching current: 6 A**

Item No.: 286-895



---

Switching module; with changeover rocker switch; Switching voltage: 250 VAC; Switching current: 6 A

### Marking

RoHS ✓  
Compliant

### Business data

Supplier	WAGO
Item no.	286-895
GTIN / EAN	4045454399801
Content	1

### Notes

### Technical data

#### Miscellaneous

Width	15 mm / 0.591 Inch
Type of mounting	Pluggable module for carrier terminal blocks
Color	grey
Fire load [MJ]	3.996 [MJ]
Weight [g]	20.5 [g]

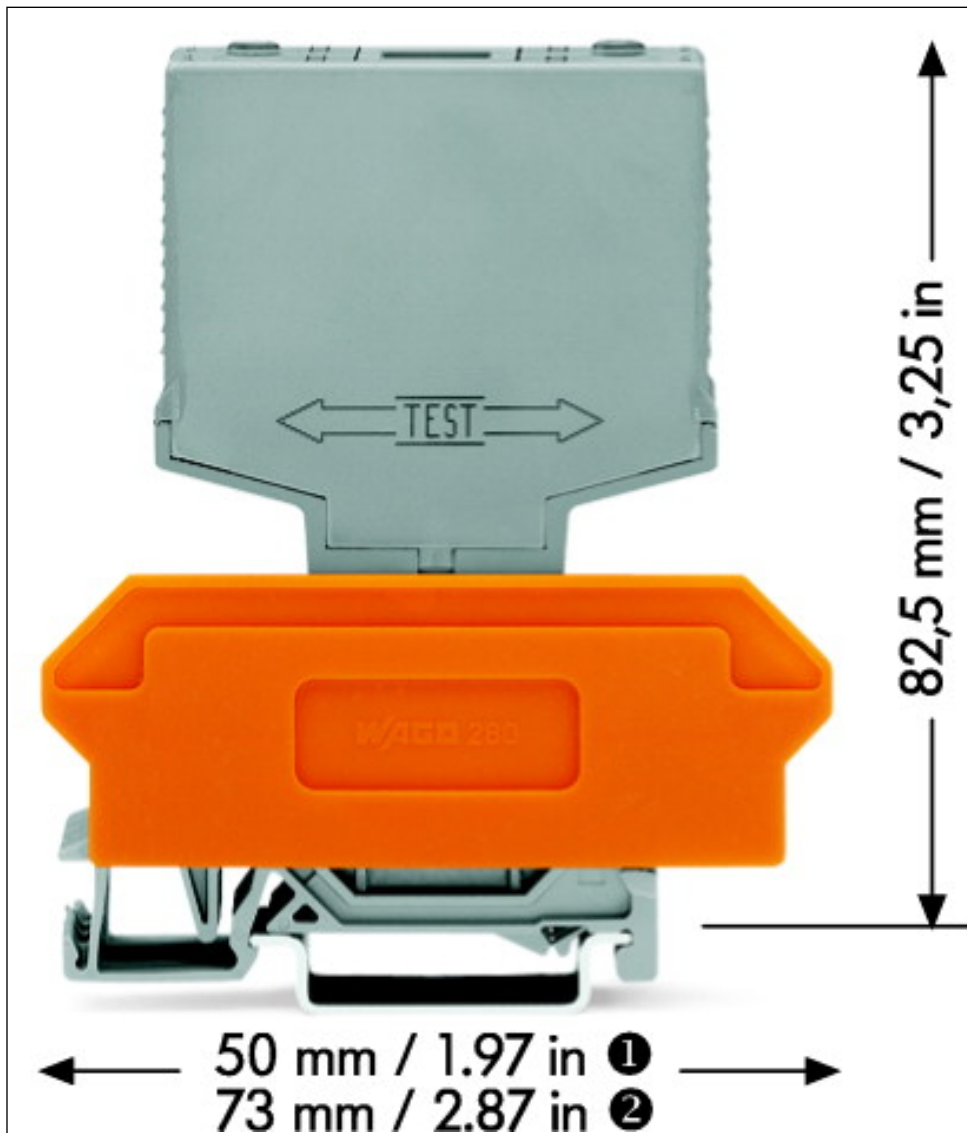
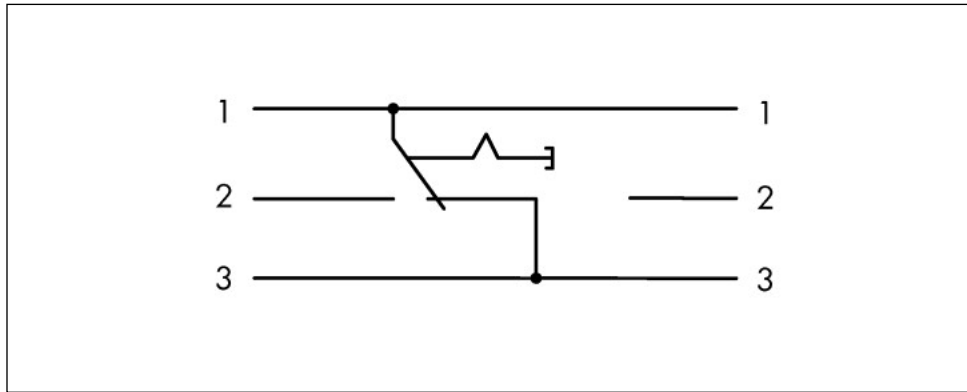
Printview: Switching module; with changeover rocker switch; Switching voltage: 250 VAC; Switching current: 6 A - Item No.: 286-895

---

<b>Technical data</b>	
<i>Ambient temperature (operation)</i>	<i>-20 ... 40 °C</i>
<i>Housing design</i>	<i>Pluggable module for terminal blocks</i>
<i>Main product function</i>	<i>Switching module</i>
<i>Product type</i>	<i>Specialty electronics</i>

Images & drawings





**Address**

WAGO Kontakttechnik GmbH & Co. KG

Hansastr. 27

32423 Minden

Telefon: 0571/887-0

Fax: 0571/887-169

<http://www.wago.com>

© WAGO Kontakttechnik GmbH & Co. KG

Technische Änderungen und Irrtümer vorbehalten.