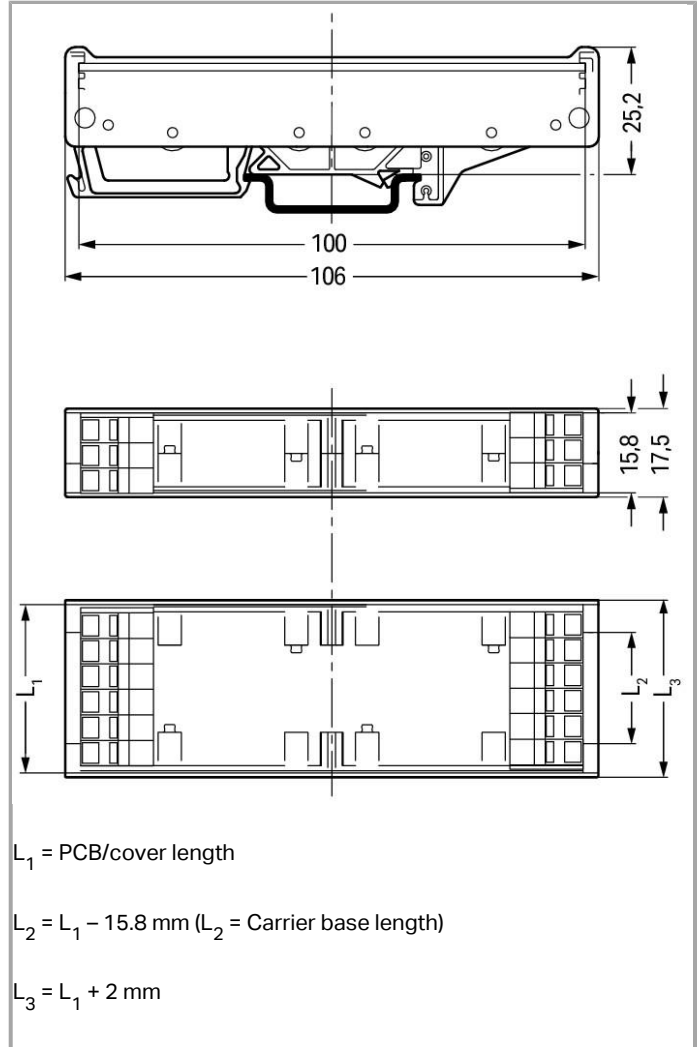
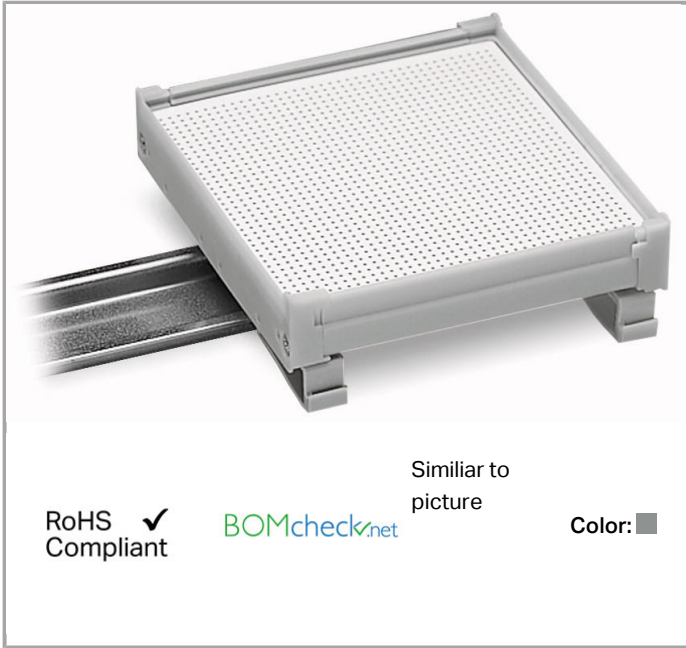
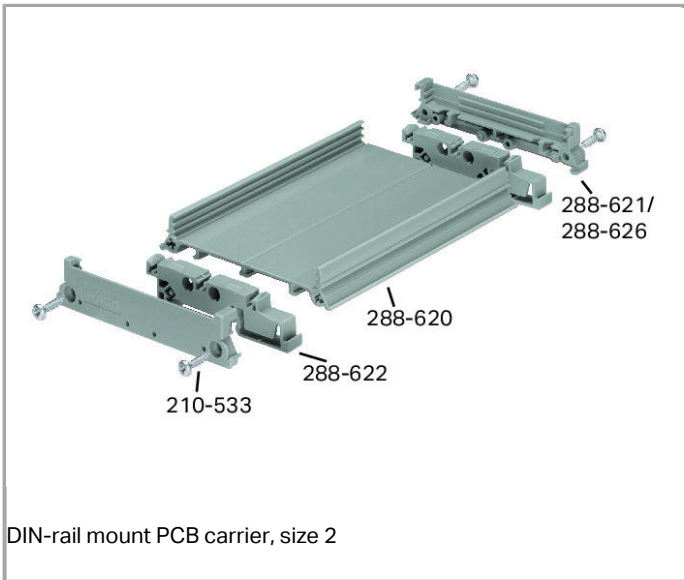


Data sheet | Item number: 288-621

Lateral cover; Size 2; small; 8.75 mm thick

[www.wago.com/288-621](http://www.wago.com/288-621)





### Item description

DIN-rail mount PCB carrier, size 2 – lateral cover, size 2; small; 8.75 mm thick

### Data

#### Geometrical Data

Width	8.75 mm / 0.344 inch
Depth	106 mm / 4.173 inch

#### Mechanical data

Type of mounting	DIN-35 rail
------------------	-------------

#### Material Data

Color	gray
Fire load	0.159 MJ
Weight	5.2 g

Subject to changes.