



h-distribution connector; unidirectional; 1 x plug / 2 x socket; 3-pole; for "flying leads"; with 3rd locking lever

Item No.: 890-636



h-distribution connector; unidirectional; 1 x plug / 2 x socket; 3-pole; for "flying leads"; with 3rd locking lever

Marking

RoHS ✓
Compliant

Business data

Supplier	WAGO
Item no.	890-636
GTIN / EAN	4045454404482
Content	1

Notes

Note: All connectors for mounted installations (snap-in versions for lighting fixtures or devices, all types of PCB and distribution connectors) are factory-equipped with locking levers to ensure plugs and sockets are securely locked. Additional locking levers are only required for flying leads (plug/socket). IP20, with strain relief housing (These compact connectors are not designed for use in open, easily accessible areas) All WINSTA® components are 100% protected against mismatching in terms of: a.) plugging different number of poles b.) plugging when turned by 180° c.) plugging when laterally staggered.) plugging one pole
Note on Continuous Service Temperature: -35°C ... +85°C PVC cable for temperatures 70 °C (including halogen-free) Insulating parts for temperatures 105 °C

Technical data

Miscellaneous

Printview: h-distribution connector; unidirectional; 1 x plug / 2 x socket; 3-pole; for "flying leads"; with 3rd locking lever - Item No.: 890-636

Technical data	
<i>Ratings per</i>	<i>IEC/EN 60664-1</i>
<i>Rated voltage (III / 3) [V]</i>	<i>250 [V]</i>
<i>Rated impulse voltage (III / 3) [kV]</i>	<i>4 [kV]</i>
<i>Rated current [A]</i>	<i>16 [A]</i>
<i>Legend (ratings)</i>	<i>(III / 3) Overvoltage category III / Pollution degree 3</i>
<i>No. of poles</i>	<i>3</i>
<i>Total number of potentials</i>	<i>3</i>
<i>Pin spacing</i>	<i>4.4 mm (0.173 in)</i>
<i>Width</i>	<i>16.4 mm / 0.646 Inch</i>
<i>Height</i>	<i>29 mm / 1.142 Inch</i>
<i>Depth</i>	<i>57.85 mm / 2.278 Inch</i>
<i>Coding</i>	<i>A</i>
<i>Mating force of a plug-in connection</i>	<i>approx. 20 ... 70 N (depending on pole number)</i>
<i>Retention force of a plug-in connection</i>	<i>when locked: > 80N</i>
<i>Unmating force of a plug-in connection</i>	<i>when unlocked: approx. 20 ... 70 N (depending on pole number)</i>
<i>Type of distribution connector</i>	<i>h-distribution connector, unidirectional</i>
<i>Marking</i>	<i>L &#9178; N</i>
<i>Degree of protection</i>	<i>IP20</i>
<i>Potential marking</i>	<i>L &#9178; N</i>
<i>Contact type (pluggable connector)</i>	<i>Distribution connectors</i>
<i>Connector connection type</i>	<i>for pluggable connectors</i>
<i>Mismating protection</i>	<i>ja</i>
<i>Locking of plug-in connection</i>	<i>locking lever</i>
<i>Locking lever</i>	<i>yes</i>
<i>Color</i>	<i>black</i>
<i>Insulating material</i>	<i>Polyamide 66 (PA 66)</i>
<i>Flammability class per UL94</i>	<i>V0</i>
<i>Contact material</i>	<i>Copper or copper alloy, surface-treated</i>
<i>Fire load [MJ]</i>	<i>0.247 [MJ]</i>
<i>Weight [g]</i>	<i>13.743 [g]</i>
<i>Ambient temperature (operation)</i>	<i>-35 ... 85 °C</i>
<i>Processing temperature</i>	<i>-5°C ... +40°C</i>

Printview: h-distribution connector; unidirectional; 1 x plug / 2 x socket; 3-pole; for "flying leads"; with 3rd locking lever - Item No.: 890-636

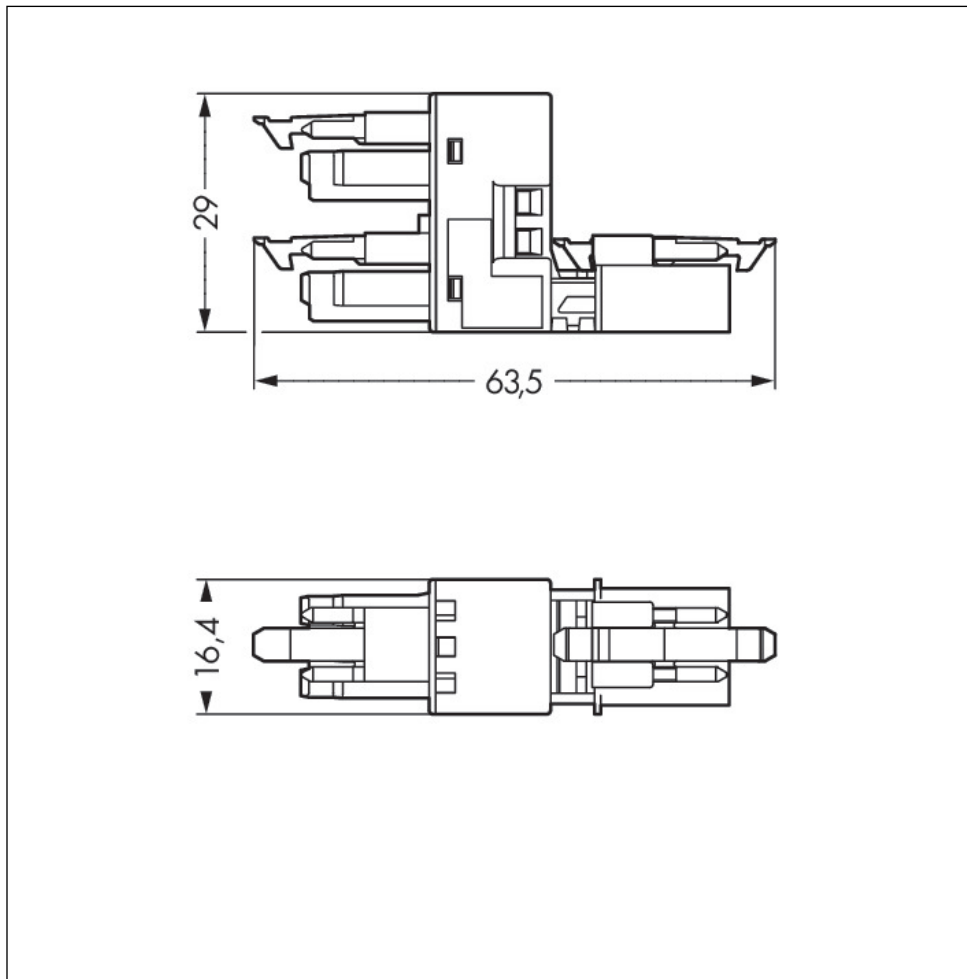
Technical data	
<i>Pin spacing from [in]</i>	<i>0.173 [in]</i>
<i>Pin spacing from [mm]</i>	<i>4.4 [mm]</i>
<i>Contact type</i>	<i>Distribution connectors; for pluggable connectors</i>
<i>Product Family</i>	<i>WINSTA MINI</i>
<i>Main product function</i>	<i>Distribution connectors</i>
<i>Product type</i>	<i>Pluggable installation connector</i>

Printview: h-distribution connector; unidirectional; 1 x plug / 2 x socket; 3-pole; for "flying leads"; with 3rd locking lever - Item No.: 890-636

Images & drawings



Printview: h-distribution connector; unidirectional; 1 x plug / 2 x socket; 3-pole; for "flying leads"; with 3rd locking lever - Item No.: 890-636



Printview: h-distribution connector; unidirectional; 1 x plug / 2 x socket; 3-pole; for "flying leads"; with 3rd locking lever - Item No.: 890-636



Address

WAGO Kontakttechnik GmbH & Co. KG

Hansastr. 27

32423 Minden

Telefon: 0571/887-0

Fax: 0571/887-169

<http://www.wago.com>

© WAGO Kontakttechnik GmbH & Co. KG

Technische Änderungen und Irrtümer vorbehalten.