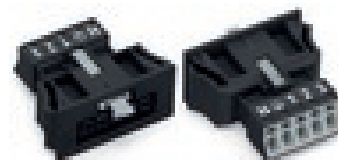




## Socket; Snap-in version; 5-pole

Item No.: 890-705



Socket; Snap-in version; 5-pole

### Marking

RoHS ✓  
Compliant

### Business data

|            |               |
|------------|---------------|
| Supplier   | WAGO          |
| Item no.   | 890-705       |
| GTIN / EAN | 4045454233433 |
| Content    | 1             |
|            |               |
|            |               |

### Notes

*Note: All connectors for mounted installations (snap-in versions for lighting fixtures or devices, all types of PCB and distribution connectors) are factory-equipped with locking levers to ensure plugs and sockets are securely locked. Additional locking levers are only required for flying leads (plug/socket). IP20, with strain relief housing (These compact connectors are not designed for use in open, easily accessible areas) All WINSTA® components are 100% protected against mismatching in terms of: a.) plugging different number of poles b.) plugging when turned by 180° c.) plugging when laterally staggered d.) plugging one pole*  
*Note on Continuous Service Temperature: -35°C ... +85°C PVC cable for temperatures 70 °C (including halogen-free) Insulating parts for temperatures 105 °C*

### Technical data

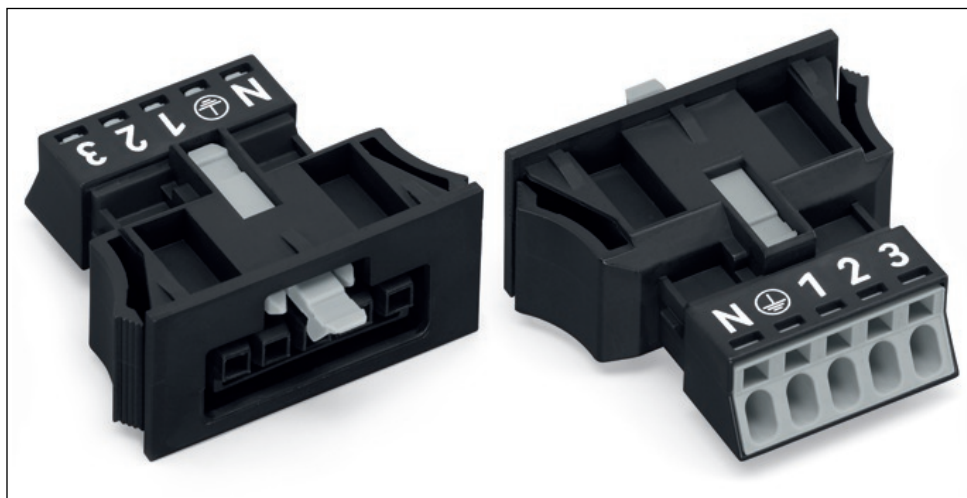
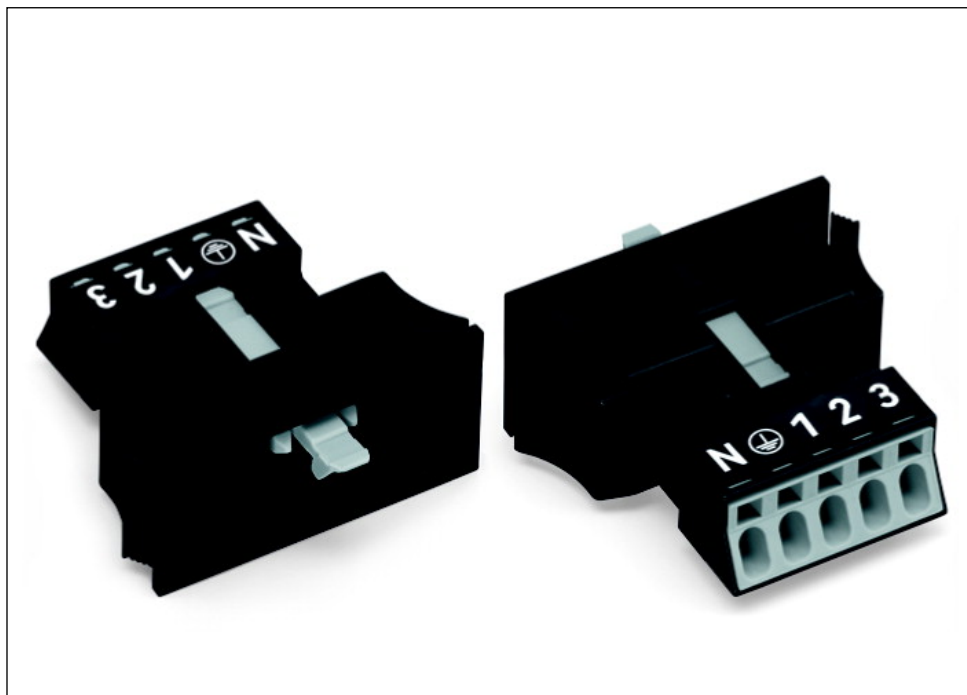
#### Miscellaneous

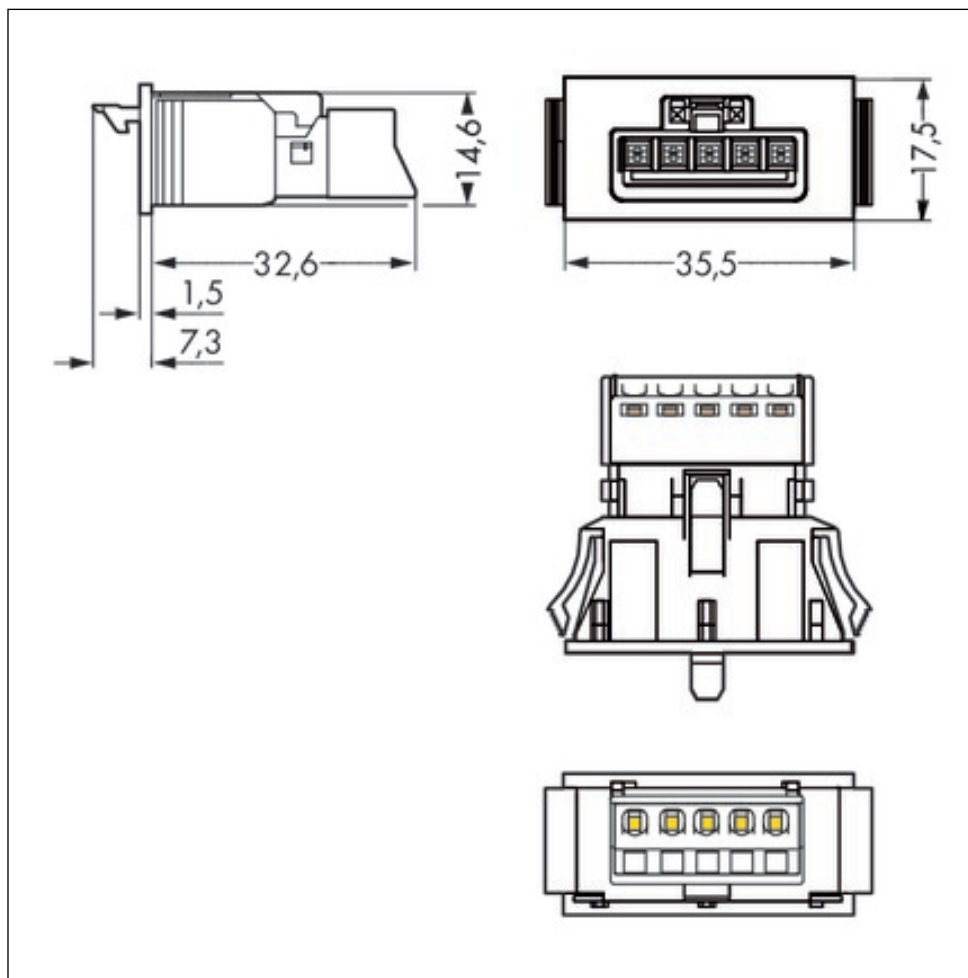
|  |  |
|--|--|
|  |  |
|--|--|

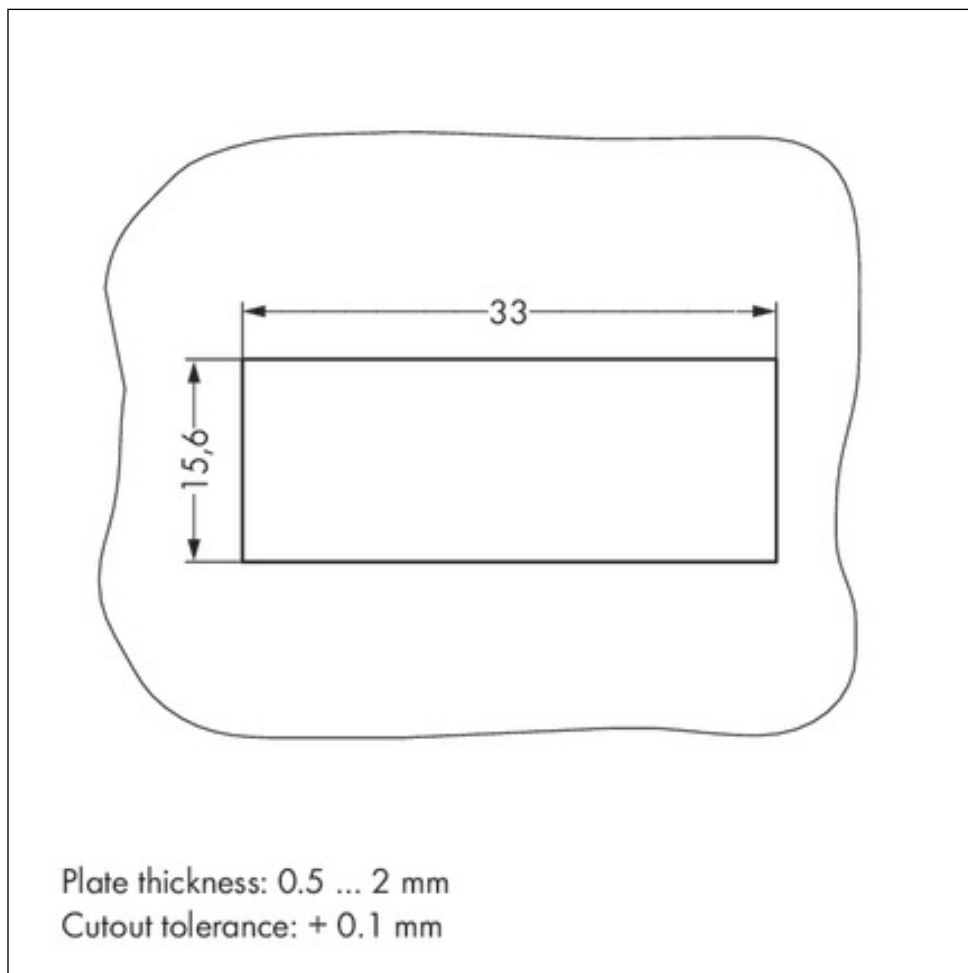
| <b>Technical data</b>   |  |
|---|--|
| <i>Ratings per</i>  | <i>IEC/EN 60664-1</i>  |
| <i>Rated voltage (III / 3) [V]</i>                                  | <i>400 [V]</i>   |
| <i>Rated impulse voltage (III / 3) [kV]</i>                         | <i>6 [kV]</i>  |
| <i>Rated current [A]</i>  | <i>13 [A]</i>  |
| <i>Legend (ratings)</i>   | <i>(III / 3) Overvoltage category III / Pollution degree 3</i>       |
| <i>No. of poles</i>   | <i>5</i>   |
| <i>Total number of connection points</i>                            | <i>5</i>   |
| <i>Total number of potentials</i>                                   | <i>5</i>   |
| <i>Connection technology</i>  | <i>Push-in CAGE CLAMP®</i>   |
| <i>Actuation type</i>   | <i>Operating tool</i>  |
| <i>Nominal cross section</i>  | <i>1.5 mm<sup>2</sup></i>  |
| <i>Solid conductor</i>  | <i>0.25 ... 1.5 mm<sup>2</sup> / 22 ... 16 AWG</i>                   |
| <i>Solid conductor, push-in termination</i>                         | <i>0.75 ... 1.5 mm<sup>2</sup> / 20 ... 16 AWG</i>                   |
| <i>Stranded conductor</i>   | <i>0.25 ... 1 mm<sup>2</sup> / 22 ... 18 AWG</i>                     |
| <i>Fine-stranded conductor</i>                                      | <i>0.25 ... 1.5 mm<sup>2</sup> / 22 ... 16 AWG</i>                   |
| <i>Fine-stranded conductor with ferrule with plastic collar</i>     | <i>0.25 ... 0.75 mm<sup>2</sup> / 22 ... 20 AWG</i>                  |
| <i>Fine-stranded conductor with ferrule without plastic collar</i>  | <i>0.25 ... 0.75 mm<sup>2</sup> / 22 ... 20 AWG</i>                  |
| <i>Fine-stranded conductor with ferrule, push-in termination, f</i> | <i>0.75 mm<sup>2</sup> / 20 AWG</i>                                  |
| <i>Strip length</i>   | <i>9 mm / 0.35 Inch</i>  |
| <i>Pin spacing</i>  | <i>4.4 mm (0.173 in)</i>   |
| <i>Width</i>  | <i>35.5 mm / 1.398 Inch</i>  |
| <i>Height</i>   | <i>17.5 mm / 0.689 Inch</i>  |
| <i>Depth</i>  | <i>39.85 mm / 1.569 Inch</i>   |
| <i>Coding</i>   | <i>A</i>   |
| <i>Mating force of a plug-in connection</i>                         | <i>approx. 20 ... 70 N (depending on pole number)</i>                |
| <i>Retention force of a plug-in connection</i>                      | <i>when locked: &gt; 80N</i>   |
| <i>Unmating force of a plug-in connection</i>                       | <i>when unlocked: approx. 20 ... 70 N (depending on pole number)</i> |
| <i>Gehäuseblechstärke</i>   | <i>0.5 ... 2 mm / 0.02 ... 0.079 inch</i>                            |
| <i>Mounting type</i>  | <i>Snap-in</i>   |
| <i>Marking</i>  | <i>N &amp;#9178; 1 2 3</i>   |
| <i>Degree of protection</i>   | <i>IP20</i>  |
| <i>Potential marking</i>  | <i>N &amp;#9178; 1 2 3</i>   |
| <i>Contact type (pluggable connector)</i>                           | <i>Female connector/socket</i>                                       |

| <b>Technical data</b>                          |  |
|--|--|
| <i>Connector connection type</i>               | <i>for conductors</i>                          |
| <i>Mismating protection</i>                    | <i>ja</i>                                      |
| <i>Locking of plug-in connection</i>           | <i>locking lever</i>                           |
| <i>Locking lever</i>                           | <i>yes</i>                                     |
| <i>Color</i>                                   | <i>black</i>                                   |
| <i>Insulating material</i>                     | <i>Polyamide 66 (PA 66)</i>                    |
| <i>Flammability class per UL94</i>             | <i>V0</i>                                      |
| <i>Clamping spring material</i>                | <i>Chrome nickel spring steel (CrNi)</i>       |
| <i>Contact material</i>                        | <i>Copper or copper alloy, surface-treated</i> |
| <i>Fire load [MJ]</i>                          | <i>0.201 [MJ]</i>                              |
| <i>Weight [g]</i>                              | <i>13.02 [g]</i>                               |
| <i>Ambient temperature (operation)</i>         | <i>-35 ... 85 °C</i>                           |
| <i>Processing temperature</i>                  | <i>-5°C ... +40°C</i>                          |
| <i>Pin spacing from [in]</i>                   | <i>0.173 [in]</i>                              |
| <i>Pin spacing from [mm]</i>                   | <i>4.4 [mm]</i>                                |
| <i>Contact type</i>                            | <i>Female connector/socket; for conductors</i> |
| <i>suitable for through-panel applications</i> | <i>ja</i>                                      |
| <i>Product Family</i>                          | <i>WINSTA MINI</i>                             |
| <i>Main product function</i>                   | <i>Female connector/socket</i>                 |
| <i>Product type</i>                            | <i>Pluggable installation connector</i>        |

Images & drawings







#### Address

WAGO Kontakttechnik GmbH & Co. KG

Hansastr. 27

32423 Minden

Telefon: 0571/887-0

Fax: 0571/887-169

<http://www.wago.com>

© WAGO Kontakttechnik GmbH & Co. KG

Technische Änderungen und Irrtümer vorbehalten.