



**Socket; for PCBs; ANGLED TYPE; 2 solder pins/pole; 2-pole;
Coding A**

Item No.: 890-802/011-000



Socket; for PCBs; ANGLED TYPE; 2 solder pins/pole; 2-pole; Coding A

Marking

RoHS ✓
Compliant

Business data

Supplier	WAGO
Item no.	890-802/011-000
GTIN / EAN	4050821695646
Content	1

Notes

Note: All connectors for mounted installations (snap-in versions for lighting fixtures or devices, all types of PCB and distribution connectors) are factory-equipped with locking levers to ensure plugs and sockets are securely locked. Additional locking levers are only required for flying leads (plug/socket). IP20, with strain relief housing (These compact connectors are not designed for use in open, easily accessible areas) All WINSTA® components are 100% protected against mismatching in terms of: a.) plugging different number of poles b.) plugging when turned by 180° c.) plugging when laterally staggered.) plugging one pole
Note on Continuous Service Temperature: -35°C ... +85°C PVC cable for temperatures 70 °C (including halogen-free) Insulating parts for temperatures 105 °C

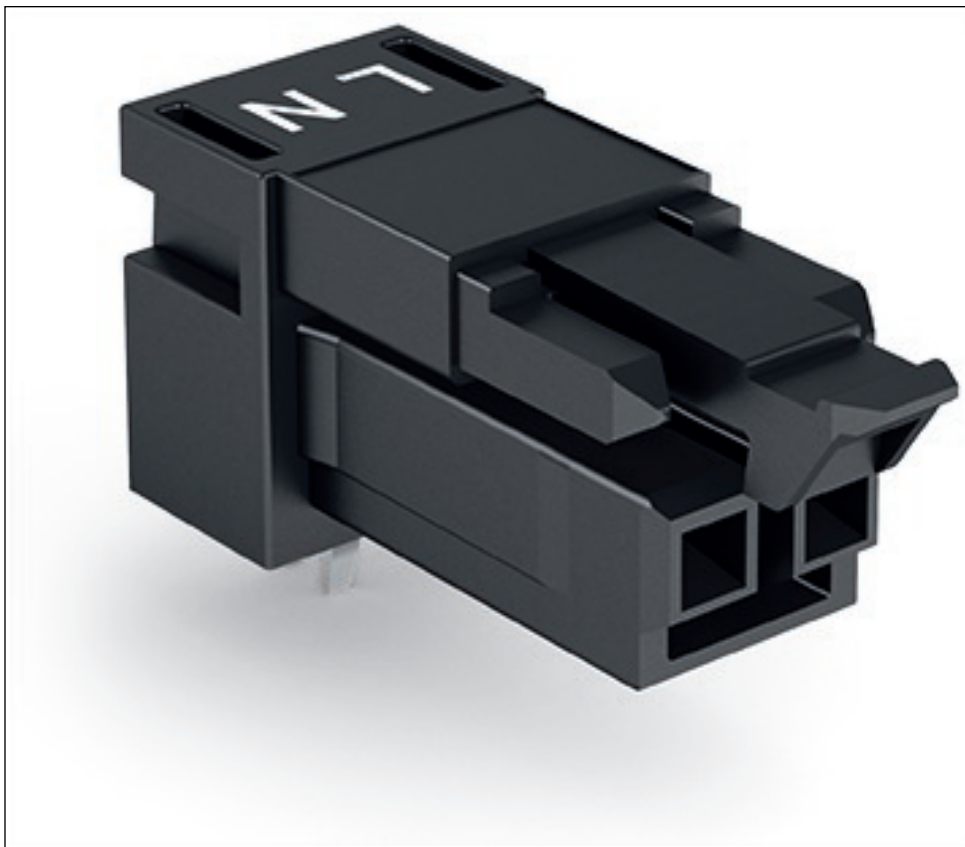
Technical data

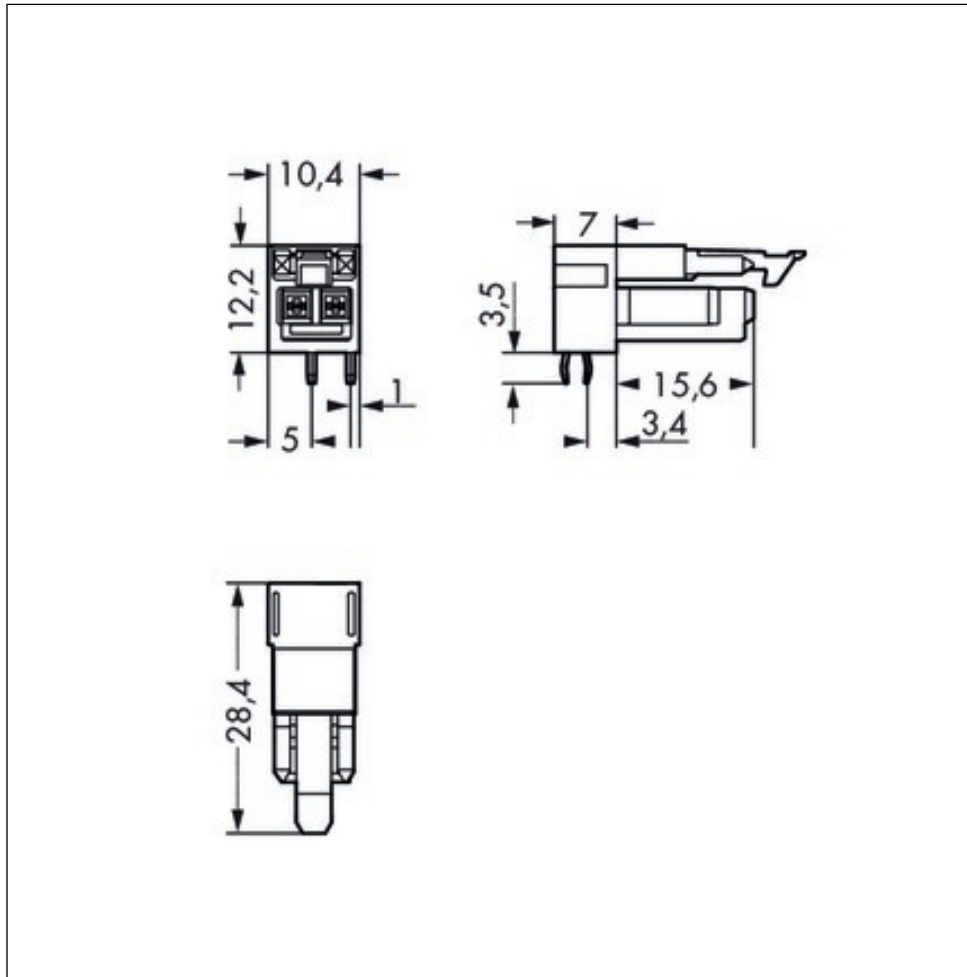
Miscellaneous

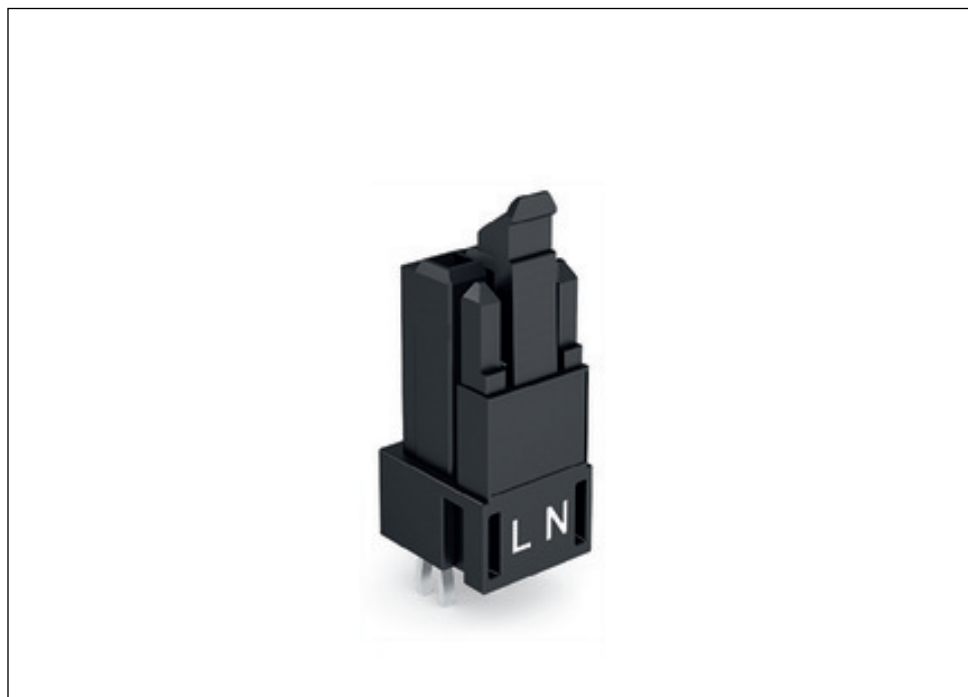
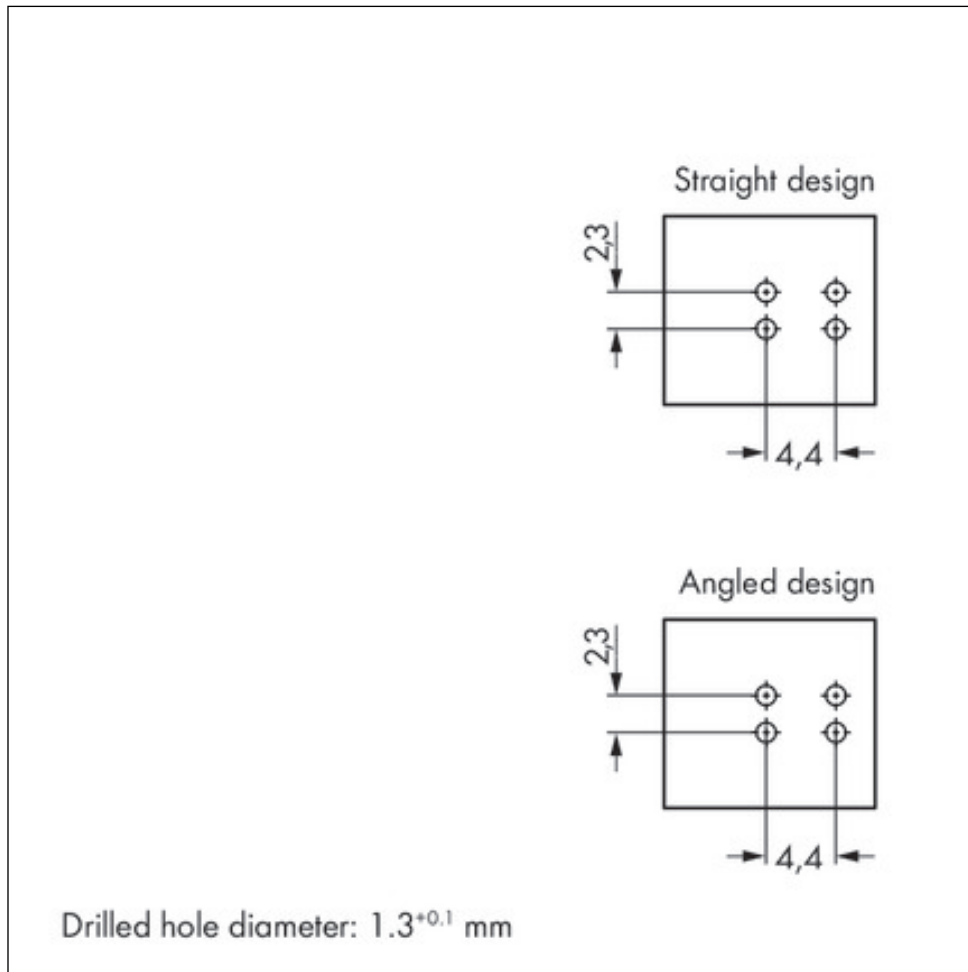
Technical data	
Ratings per	IEC/EN 60664-1
Rated voltage (III / 3) [V]	250 [V]
Rated impulse voltage (III / 3) [kV]	4 [kV]
Rated current [A]	16 [A]
Legend (ratings)	(III / 3) Overvoltage category III / Pollution degree 3
No. of poles	2
Total number of potentials	2
Number of levels	1
Pin spacing	4.4 mm (0.173 in)
Width	10.4 mm / 0.41 Inch
Height	15.7 mm / 0.618 Inch
Height from the surface	12.2 mm / 0.48 Inch
Depth	28.4 mm / 1.118 Inch
Solder pin length [mm]	3.5 [mm]
Solder pin dimensions	1 x 0.8 mm
Drilled hole diameter (tolerance) [mm]	1.3(+ 0.1 ... - 0.1) [mm]
Coding	A
Mating force of a plug-in connection	approx. 20 ... 70 N (depending on pole number)
Retention force of a plug-in connection	when locked: > 80N
Unmating force of a plug-in connection	when unlocked: approx. 20 ... 70 N (depending on pole number)
Design	angled
Marking	L N
Degree of protection	IP20
Potential marking	L N
Contact type (pluggable connector)	Female connector/socket
Connector connection type	for PCBs
Mismating protection	ja
Locking of plug-in connection	locking lever
Locking lever	yes
PCB contact	THT
Solder pin arrangement	2 in-line solder pins/pole
Number of solder pins per potential	2

Technical data	
<i>Color</i>	<i>black</i>
<i>Insulating material</i>	<i>Polyamide 66 (PA 66)</i>
<i>Flammability class per UL94</i>	<i>V0</i>
<i>Contact material</i>	<i>Copper or copper alloy, surface-treated</i>
<i>Fire load [MJ]</i>	<i>0.048 [MJ]</i>
<i>Weight [g]</i>	<i>2.54 [g]</i>
<i>Ambient temperature (operation)</i>	<i>-35 ... 85 °C</i>
<i>Processing temperature</i>	<i>-5°C ... +40°C</i>
<i>Pin spacing from [in]</i>	<i>0.173 [in]</i>
<i>Pin spacing from [mm]</i>	<i>4.4 [mm]</i>
<i>Contact type</i>	<i>Female connector/socket; for PCBs</i>
<i>Product Family</i>	<i>WINSTA MINI</i>
<i>Main product function</i>	<i>Female connector/socket</i>
<i>Product type</i>	<i>Pluggable PCB connectors</i>

Images & drawings







Address

WAGO Kontakttechnik GmbH & Co. KG

Hansastr. 27

32423 Minden

Telefon: 0571/887-0

Fax: 0571/887-169

<http://www.wago.com>

© WAGO Kontakttechnik GmbH & Co. KG

Technische Änderungen und Irrtümer vorbehalten.