



**COMPACT Splicing Connectors; 3-conductor connector; with operating levers; Max.ambient operating temp. 85 °C**

Item No.: 221-413



COMPACT Splicing Connectors; 3-conductor connector; with operating levers; Max.ambient operating temp. 85 °C

**Marking**

RoHS ✓  
Compliant

**Business data**

|            |               |
|------------|---------------|
| Supplier   | WAGO          |
| Item no.   | 221-413       |
| GTIN / EAN | 4050821808442 |
| Content    | 1             |
|            |               |
|            |               |

**Notes**

**Technical data**

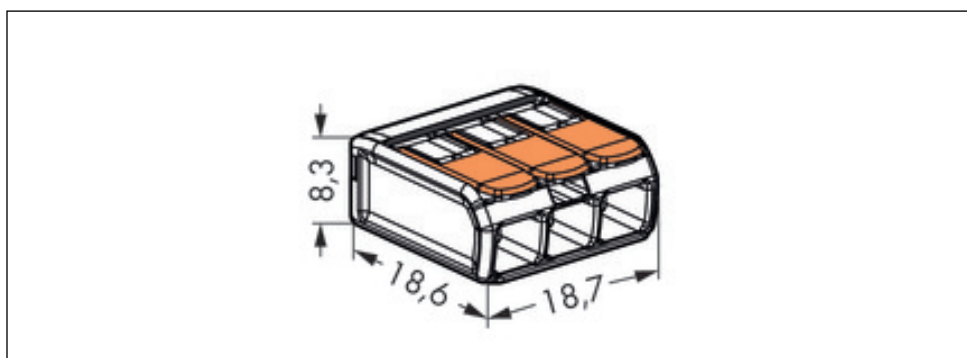
*Miscellaneous*

|                                     |                         |
|-------------------------------------|-------------------------|
| Safety information 1                | In grounded power lines |
|                                     |                         |
| Ratings per                         | EN 60664                |
| Rated voltage (II / 2) [V]          | 450 [V]                 |
| Rated impulse voltage (II / 2) [kV] | 4 [kV]                  |
| Rated current [A]                   | 32 [A]                  |

| <b>Technical data</b>                              |  |
|--|--|
| <i>Legend (ratings)</i>                            | <i>(II / 2) Overvoltage category II / Pollution degree 2</i> |
| <i>Type of wiring</i>                              | <i>Side-entry wiring</i>                                     |
| <i>Total number of connection points</i>           | <i>3</i>   |
| <i>Total number of potentials</i>                  | <i>1</i>   |
| <i>Connection technology</i>                       | <i>CAGE CLAMP®</i>   |
| <i>Actuation type</i>                              | <i>Operating lever</i>                                       |
| <i>Connectable conductor materials</i>             | <i>Copper</i>  |
| <i>Nominal cross section</i>                       | <i>4 mm<sup>2</sup></i>                                      |
| <i>Solid conductor</i>                             | <i>0.2 ... 4 mm<sup>2</sup> / 24 ... 12 AWG</i>              |
| <i>Stranded conductor</i>                          | <i>0.2 ... 4 mm<sup>2</sup> / 24 ... 12 AWG</i>              |
| <i>Fine-stranded conductor</i>                     | <i>0.14 ... 4 mm<sup>2</sup> / 24 ... 12 AWG</i>             |
| <i>Strip length</i>                                | <i>11 mm / 0.43 Inch</i>                                     |
| <i>Width</i>                                       | <i>18.7 mm / 0.736 Inch</i>                                  |
| <i>Height</i>                                      | <i>8.3 mm / 0.327 Inch</i>                                   |
| <i>Depth</i>                                       | <i>18.6 mm / 0.732 Inch</i>                                  |
| <i>Color</i>                                       | <i>transparent</i>   |
| <i>Flammability class per UL94</i>                 | <i>V2</i>  |
| <i>Fire load [MJ]</i>                              | <i>0.048 [MJ]</i>  |
| <i>Weight [g]</i>                                  | <i>2.527 [g]</i>   |
| <i>Ambient temperature (operation)</i>             | <i>85 °C</i>   |
| <i>Continuous operating temperature up to [°C]</i> | <i>105 [°C]</i>  |
| <i>T-Marking per EN 60998</i>                      | <i>T85</i>   |
| <i>Main product function</i>                       | <i>Hebelklemme</i>   |
| <i>Product type</i>                                | <i>Splicing connectors</i>                                   |

Images & drawings





#### Address

WAGO Kontakttechnik GmbH & Co. KG

Hansastr. 27

32423 Minden

Telefon: 0571/887-0

Fax: 0571/887-169

<http://www.wago.com>

© WAGO Kontakttechnik GmbH & Co. KG

Technische Änderungen und Irrtümer vorbehalten.