



## Relay module; Relay with 1 make contact (1a)

Item No.: 286-364



Relay module; Relay with 1 make contact (1a)

### Marking

RoHS   
Compliant

### Business data

Supplier	WAGO
Item no.	286-364
GTIN / EAN	4045454524968
Content	1

### Notes

Item description: Short description: Note: WSB marking cards Marking K; Item No.: 209782 Marking 1 ... 10; Item No.: 209-702 Marking A1, A2, 13, 14; Item No.: 209952 Marking A1, A2, 11, 12; Item No.: 2099535 cards, 10 strips with 10 markers each

### Technical data

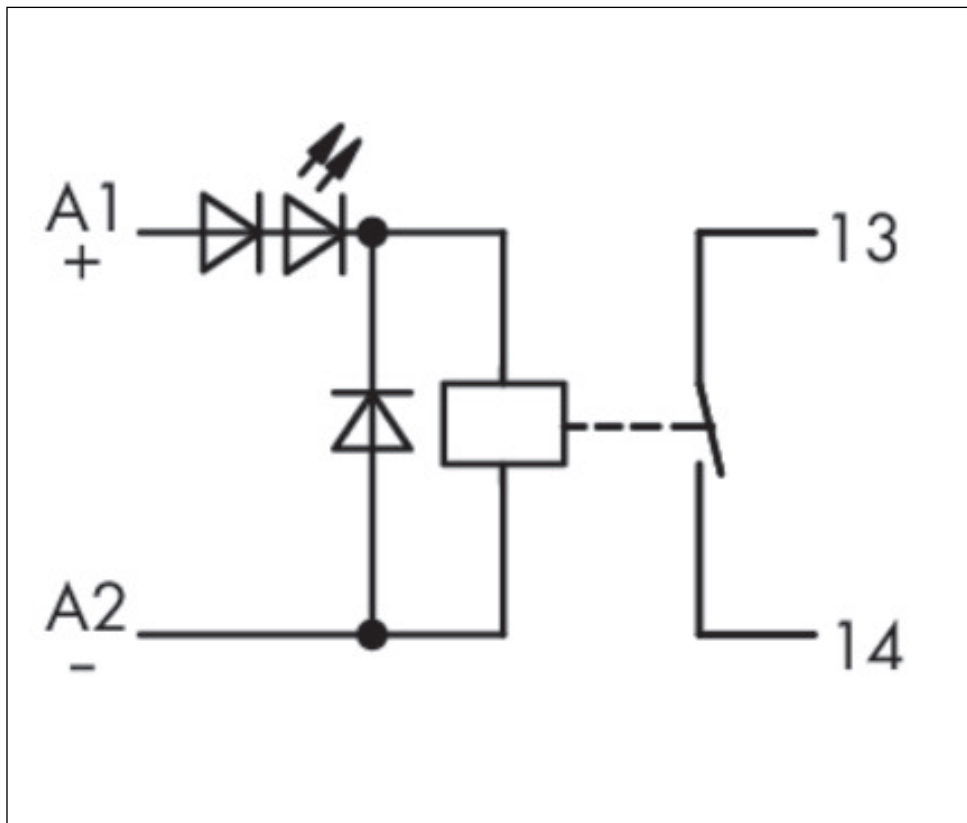
#### Miscellaneous

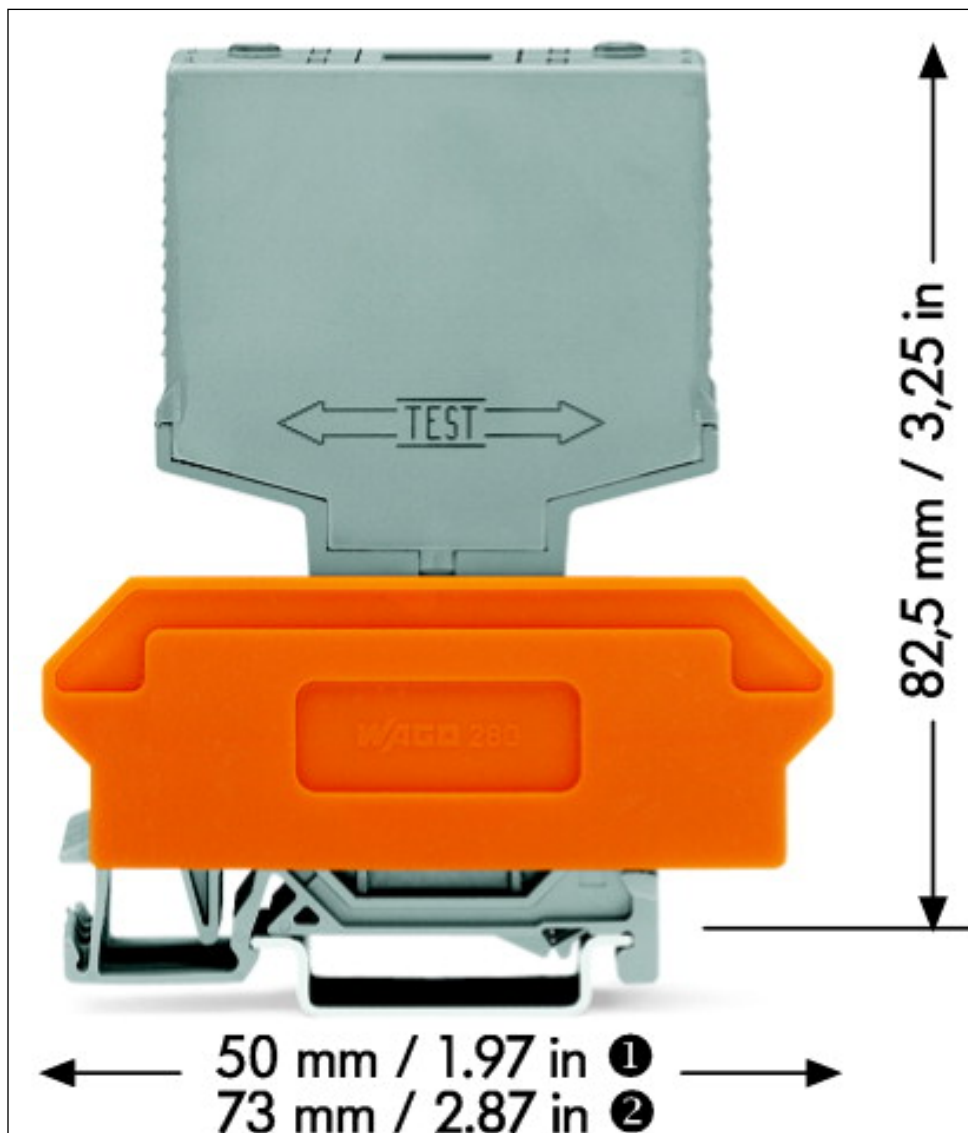
Width	10 mm / 0.394 Inch
Height from upper-edge of DIN-35 rail	82.5 mm / 3.248 Inch
Type of mounting	Pluggable module for carrier terminal blocks

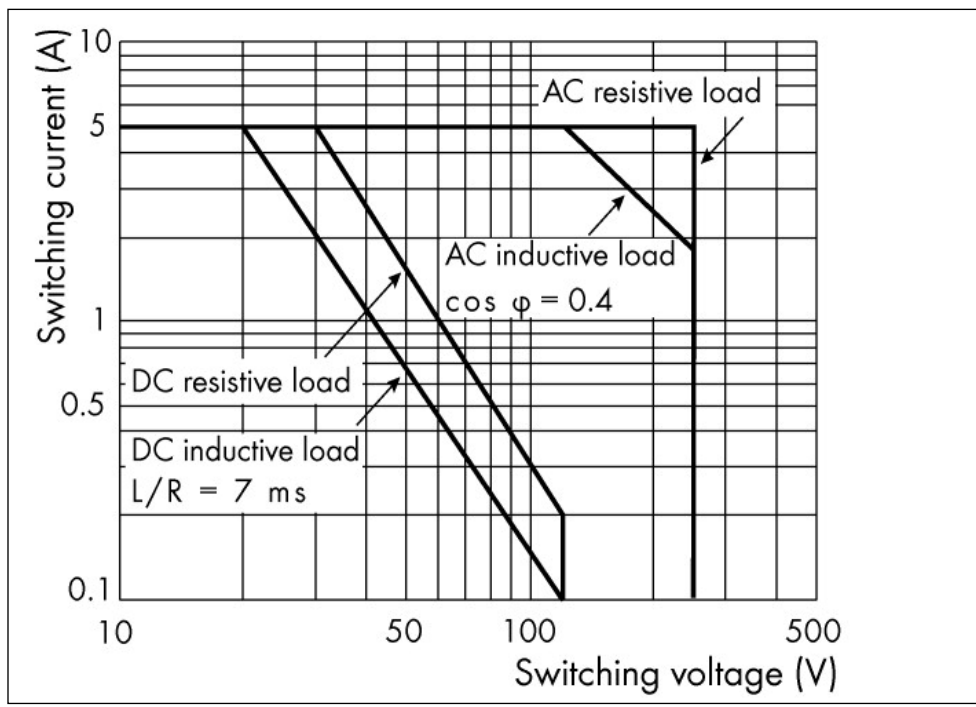
<b>Technical data</b>	
<i>Color</i>	<i>gray</i>
<i>Fire load [MJ]</i>	<i>0.356 [MJ]</i>
<i>Weight [g]</i>	<i>16.8 [g]</i>
<i>Permissible ambient operating temperature at UN</i>	<i>-25 ... 40 °C</i>
<i>Ambient temperature (storage)</i>	<i>-25 ... 40 °C</i>
<i>Pollution degree</i>	<i>2</i>
<i>Standards/specifications</i>	<i>EN 60664-1</i>
<i>Housing design</i>	<i>Pluggable module for terminal blocks</i>
<i>Main product function</i>	<i>Relay module</i>
<i>Product type</i>	<i>Relay modules</i>
<i>Number of make contacts</i>	<i>1</i>

Images & drawings









**Address**

WAGO Kontakttechnik GmbH & Co. KG

Hansastr. 27

32423 Minden

Telefon: 0571/887-0

Fax: 0571/887-169

<http://www.wago.com>

© WAGO Kontakttechnik GmbH & Co. KG

Technische Änderungen und Irrtümer vorbehalten.