

Printview: Plug; with strain relief housing; 4-pole; Pin spacing 10 mm / 0.394 in; 100% protected against mismatching; Cable diameter 9 - 13 mm - Item No.: 770-114



**Plug; with strain relief housing; 4-pole; Pin spacing 10 mm / 0.394 in; 100% protected against mismatching; Cable diameter 9 - 13 mm**

Item No.: 770-114



Plug; with strain relief housing; 4-pole; Pin spacing 10 mm / 0.394 in; 100% protected against mismatching; Cable diameter 9 - 13 mm

## Marking

RoHS ✓  
Compliant

## Business data

Supplier	WAGO
Item no.	770-114
GTIN / EAN	4044918254410
Content	1

## Notes

*Note: All connectors for mounted installations (snap-in versions for lighting fixtures or devices, all types of PCB and distribution connectors) are factory-equipped with locking levers to ensure plugs and sockets are securely locked. Additional locking levers are only required for flying leads (plug/socket). IP20, with strain relief housing (These compact connectors are not designed for use in open, easily accessible areas) All WINSTA® components are 100% protected against mismatching in terms of: a.) plugging different number of poles b.) plugging when turned by 180° c.) plugging when laterally staggered d.) plugging one pole*  
*Note on Continuous Service Temperature: -35°C ... +85°C PVC cable for temperatures 70 °C (including halogen-free) Insulating parts for temperatures 105 °C*

## Technical data

Printview: Plug; with strain relief housing; 4-pole; Pin spacing 10 mm / 0.394 in; 100% protected against mismatching; Cable diameter 9 - 13 mm - Item No.: 770-114

<b>Technical data</b>	
<i>Miscellaneous</i>	
<i>Ratings per</i>	<i>IEC/EN 60664-1</i>
<i>Rated voltage (III / 3) [V]</i>	<i>400 [V]</i>
<i>Rated impulse voltage (III / 3) [kV]</i>	<i>6 [kV]</i>
<i>Rated current [A]</i>	<i>25 [A]</i>
<i>Legend (ratings)</i>	<i>(III / 3) Overvoltage category III / Pollution degree 3</i>
<i>No. of poles</i>	<i>4</i>
<i>Total number of connection points</i>	<i>8</i>
<i>Total number of potentials</i>	<i>4</i>
<i>Connection technology</i>	<i>Push-in CAGE CLAMP®</i>
<i>Actuation type</i>	<i>Operating tool</i>
<i>Nominal cross section</i>	<i>4 mm<sup>2</sup></i>
<i>Solid conductor</i>	<i>0.5 ... 4 mm<sup>2</sup> / 20 ... 12 AWG</i>
<i>Solid conductor, push-in termination</i>	<i>1.5 ... 4 mm<sup>2</sup> / 16 ... 12 AWG</i>
<i>Stranded conductor</i>	<i>0.5 ... 2.5 mm<sup>2</sup> / 20 ... 14 AWG</i>
<i>Fine-stranded conductor</i>	<i>0.5 ... 4 mm<sup>2</sup> / 20 ... 12 AWG</i>
<i>Fine-stranded conductor with ferrule with plastic collar</i>	<i>0.25 ... 1.5 mm<sup>2</sup> / 20 ... 16 AWG</i>
<i>Fine-stranded conductor with ferrule without plastic collar</i>	<i>0.25 ... 2.5 mm<sup>2</sup> / 20 ... 14 AWG</i>
<i>Fine-stranded conductor with ferrule, push-in termination, f</i>	<i>1.5 mm<sup>2</sup> / 16 AWG</i>
<i>Strip length</i>	<i>9 mm / 0.35 Inch</i>
<i>Connectable sheathed cable diameter</i>	<i>9 ... 13 mm</i>
<i>Pin spacing</i>	<i>10 mm (0.394 in)</i>
<i>Width</i>	<i>44.6 mm / 1.756 Inch</i>
<i>Height</i>	<i>17 mm / 0.669 Inch</i>
<i>Depth</i>	<i>75.9 mm / 2.988 Inch</i>
<i>Coding</i>	<i>A</i>
<i>Mating force of a plug-in connection</i>	<i>approx. 20 ... 70 N (depending on pole number)</i>
<i>Retention force of a plug-in connection</i>	<i>when locked: &gt; 80N</i>
<i>Unmating force of a plug-in connection</i>	<i>when unlocked: approx. 20 ... 70 N (depending on pole number)</i>
<i>Marking</i>	<i>N &amp;#9178; 2 L 1 L'</i>
<i>Degree of protection</i>	<i>IP20</i>
<i>Potential marking</i>	<i>N &amp;#9178; 2 L 1 L'</i>

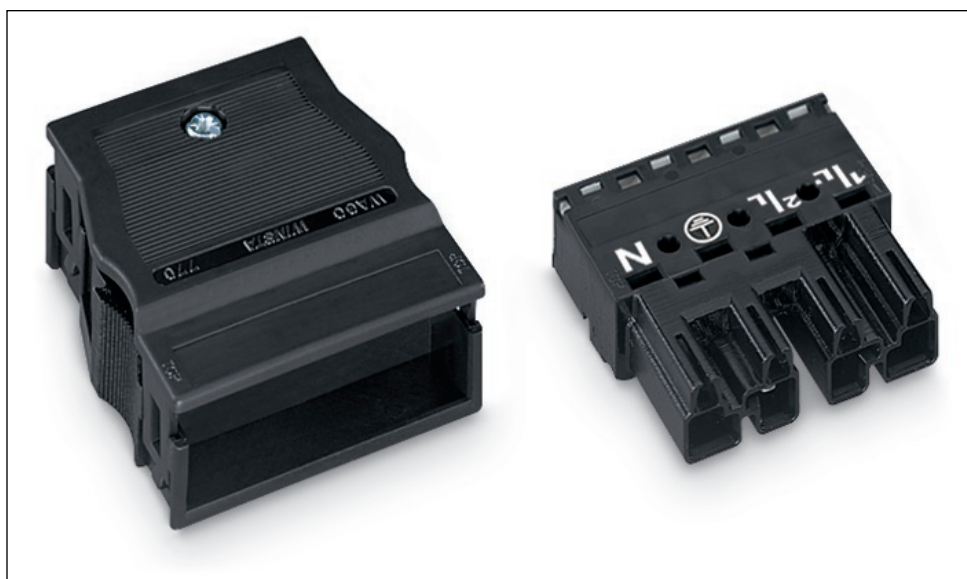
Printview: Plug; with strain relief housing; 4-pole; Pin spacing 10 mm / 0.394 in; 100% protected against mismatching; Cable diameter 9 - 13 mm - Item No.: 770-114

<b>Technical data</b>	
Contact type (pluggable connector)	Male connector/plug
Connector connection type	for conductors
Mismatching protection	ja
Locking of plug-in connection	locking lever
Locking lever	no
Strain relief	Zugentlastungsgehäuse
Color	black
Insulating material	Polyamide 66 (PA 66)
Flammability class per UL94	V0
Clamping spring material	Chrome nickel spring steel (CrNi)
Contact material	Copper or copper alloy, surface-treated
Fire load [MJ]	0.575 [MJ]
Weight [g]	24.858 [g]
Ambient temperature (operation)	-35 ... 85 °C
Processing temperature	-5°C ... +40°C
Pin spacing from [in]	0.394 [in]
Pin spacing from [mm]	10 [mm]
Contact type	Male connector/plug; for conductors
Product Family	WINSTA MIDI
Main product function	Male connector/plug
Product type	Pluggable installation connector

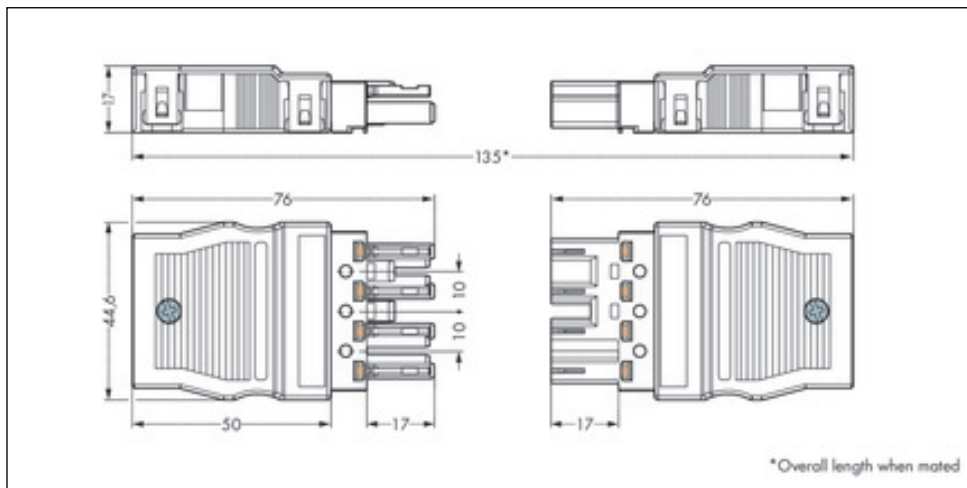
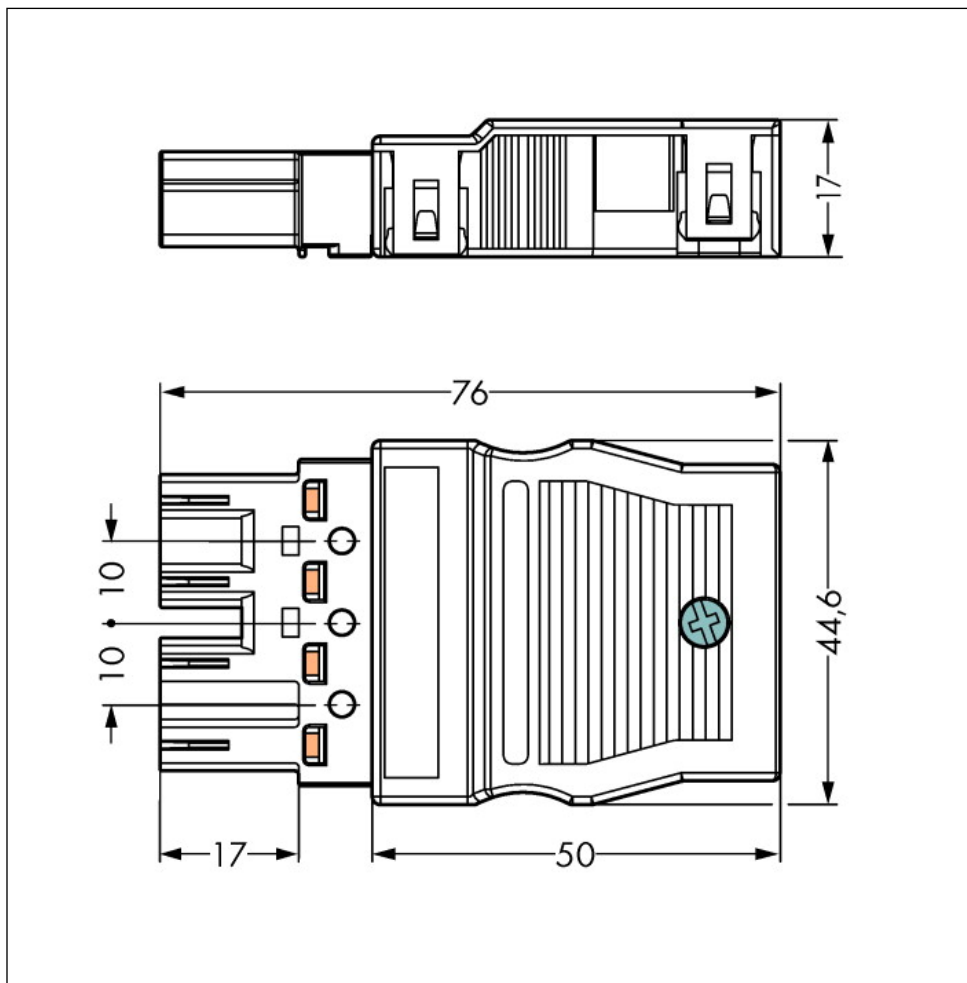
Printview: Plug; with strain relief housing; 4-pole; Pin spacing 10 mm / 0.394 in; 100% protected against mismatching; Cable diameter 9 - 13 mm - Item No.: 770-114

---

## Images & drawings

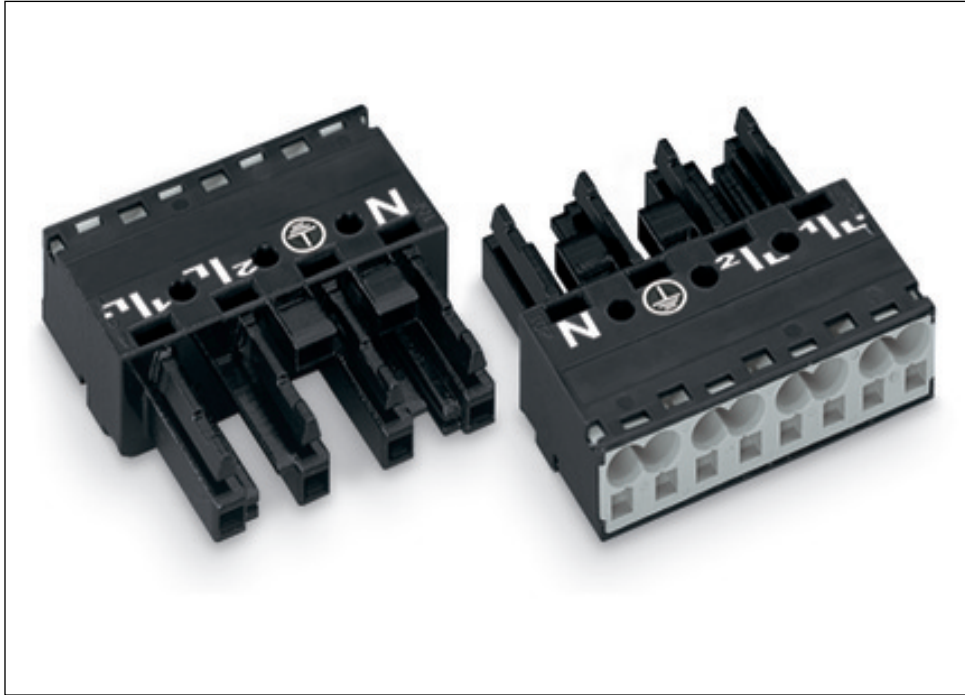


Printview: Plug; with strain relief housing; 4-pole; Pin spacing 10 mm / 0.394 in; 100% protected against mismatching; Cable diameter 9 - 13 mm - Item No.: 770-114



Printview: Plug; with strain relief housing; 4-pole; Pin spacing 10 mm / 0.394 in; 100% protected against mismatching; Cable diameter 9 - 13 mm - Item No.: 770-114

---



#### Address

WAGO Kontakttechnik GmbH & Co. KG

Hansastr. 27

32423 Minden

Telefon: 0571/887-0

Fax: 0571/887-169

<http://www.wago.com>

© WAGO Kontakttechnik GmbH & Co. KG

Technische Änderungen und Irrtümer vorbehalten.