



PUSH WIRE® connector for junction boxes; 6-conductor terminal block; transparent housing; violet cover

Item No.: 773-106



PUSH WIRE® connector for junction boxes; 6-conductor terminal block; transparent housing; violet cover

Marking

RoHS ✓
Compliant

Business data

Supplier	WAGO
Item no.	773-106
GTIN / EAN	4044918397681
Content	1

Notes

Safety information 2: When using conductors of exclusively the same cross section, 0.75 mm²/AWG 18 is also possible.

Technical data

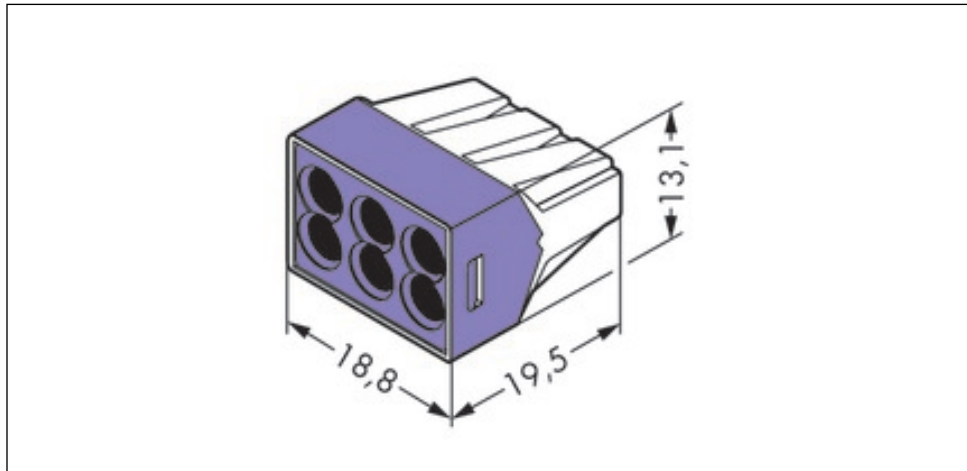
Miscellaneous

Safety information 1	In grounded power lines
Ratings per	IEC/EN 60664-1
Rated voltage (II / 2) [V]	400 [V]

Technical data	
<i>Rated impulse voltage (II / 2) [kV]</i>	4 [kV]
<i>Rated current [A]</i>	24 [A]
<i>Legend (ratings)</i>	(II / 2) Overvoltage category II / Pollution degree 2
<i>Type of wiring</i>	Side-entry wiring
<i>Total number of connection points</i>	6
<i>Total number of potentials</i>	1
<i>Connection technology</i>	PUSH WIRE®
<i>Actuation type</i>	Push-in
<i>Connectable conductor materials</i>	Copper
<i>Solid conductor</i>	0.75 ... 2.5 mm ² / 18 ... 12 AWG
<i>Stranded conductor</i>	1.5 ... 2.5 mm ² / 16 ... 12 AWG
<i>Strip length</i>	12 mm / 0.47 Inch
<i>Width</i>	18.8 mm / 0.74 Inch
<i>Height</i>	13.1 mm / 0.516 Inch
<i>Depth</i>	19.5 mm / 0.768 Inch
<i>Color</i>	violet
<i>Cover color</i>	violet
<i>Flammability class per UL94</i>	V2
<i>Fire load [MJ]</i>	0.075 [MJ]
<i>Weight [g]</i>	3.55 [g]
<i>Ambient temperature (operation)</i>	60 °C
<i>Main product function</i>	Steckklemme
<i>Product type</i>	Splicing connectors

Images & drawings





Address

WAGO Kontakttechnik GmbH & Co. KG

Hansastr. 27

32423 Minden

Telefon: 0571/887-0

Fax: 0571/887-169

<http://www.wago.com>

© WAGO Kontakttechnik GmbH & Co. KG

Technische Änderungen und Irrtümer vorbehalten.