



T-distribution connector; 1 x plug / 2 x socket; 2-pole; 100% protected against mismatching; pluggable

Item No.: 890-1606



T-distribution connector; 1 x plug / 2 x socket; 2-pole; 100% protected against mismatching; pluggable

Marking

RoHS ✓
Compliant

Business data

| | |
|------------|---------------|
| Supplier | WAGO |
| Item no. | 890-1606 |
| GTIN / EAN | 4045454547615 |
| Content | 1 |
| | |
| | |

Notes

Note: All connectors for mounted installations (snap-in versions for lighting fixtures or devices, all types of PCB and distribution connectors) are factory-equipped with locking levers to ensure plugs and sockets are securely locked. Additional locking levers are only required for flying leads (plug/socket). IP20, with strain relief housing (These compact connectors are not designed for use in open, easily accessible areas) All WINSTA® components are 100% protected against mismatching in terms of: a.) plugging different number of poles b.) plugging when turned by 180° c.) plugging when laterally staggered.) plugging one pole
Note on Continuous Service Temperature: -35°C ... +85°C PVC cable for temperatures 70 °C (including halogen-free) Insulating parts for temperatures 105 °C

Technical data

Miscellaneous

Printview: T-distribution connector; 1 x plug / 2 x socket; 2-pole; 100% protected against mismatching; pluggable - Item No.: 890-1606

| Technical data | |
|--|--|
| | |
| <i>Ratings per</i> | <i>IEC/EN 60664-1</i> |
| <i>Rated voltage (III / 3) [V]</i> | <i>250 [V]</i> |
| <i>Rated impulse voltage (III / 3) [kV]</i> | <i>4 [kV]</i> |
| <i>Rated current [A]</i> | <i>16 [A]</i> |
| <i>Legend (ratings)</i> | <i>(III / 3) Overvoltage category III / Pollution degree 3</i> |
| <i>No. of poles</i> | <i>2</i> |
| <i>Total number of potentials</i> | <i>2</i> |
| <i>Pin spacing</i> | <i>4.4 mm (0.173 in)</i> |
| <i>Width</i> | <i>13.5 mm / 0.531 Inch</i> |
| <i>Height</i> | <i>39.65 mm / 1.561 Inch</i> |
| <i>Depth</i> | <i>53.9 mm / 2.122 Inch</i> |
| <i>Coding</i> | <i>A</i> |
| <i>Mating force of a plug-in connection</i> | <i>approx. 20 ... 70 N (depending on pole number)</i> |
| <i>Retention force of a plug-in connection</i> | <i>when locked: > 80N</i> |
| <i>Unmating force of a plug-in connection</i> | <i>when unlocked: approx. 20 ... 70 N (depending on pole number)</i> |
| <i>Type of distribution connector</i> | <i>T-distribution connector</i> |
| <i>Marking</i> | <i>L N</i> |
| <i>Degree of protection</i> | <i>IP20</i> |
| <i>Potential marking</i> | <i>L N</i> |
| <i>Contact type (pluggable connector)</i> | <i>Distribution connectors</i> |
| <i>Connector connection type</i> | <i>for pluggable connectors</i> |
| <i>Mismatching protection</i> | <i>ja</i> |
| <i>Locking of plug-in connection</i> | <i>locking lever</i> |
| <i>Locking lever</i> | <i>yes</i> |
| <i>Color</i> | <i>black</i> |
| <i>Insulating material</i> | <i>Polyamide 66 (PA 66)</i> |
| <i>Flammability class per UL94</i> | <i>V0</i> |
| <i>Contact material</i> | <i>Copper or copper alloy, surface-treated</i> |
| <i>Fire load [MJ]</i> | <i>0.125 [MJ]</i> |
| <i>Weight [g]</i> | <i>5.996 [g]</i> |
| <i>Ambient temperature (operation)</i> | <i>-35 ... 85 °C</i> |
| <i>Processing temperature</i> | <i>-5°C ... +40°C</i> |

Printview: T-distribution connector; 1 x plug / 2 x socket; 2-pole; 100% protected against mismatching; pluggable - Item No.: 890-1606

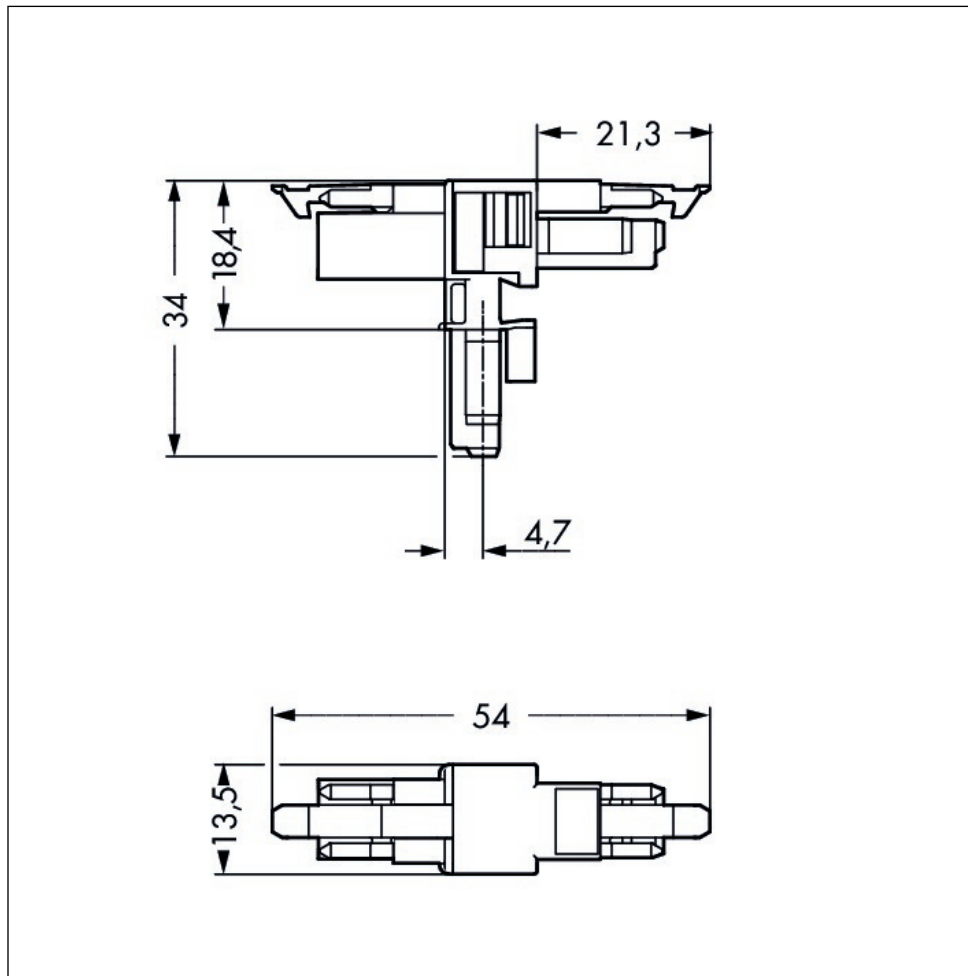
| Technical data | |
|------------------------------|--|
| <i>Pin spacing from [in]</i> | <i>0.173 [in]</i> |
| <i>Pin spacing from [mm]</i> | <i>4.4 [mm]</i> |
| <i>Contact type</i> | <i>Distribution connectors; for pluggable connectors</i> |
| <i>Product Family</i> | <i>WINSTA MINI</i> |
| <i>Main product function</i> | <i>Distribution connectors</i> |
| <i>Product type</i> | <i>Pluggable installation connector</i> |

Images & drawings



Printview: T-distribution connector; 1 x plug / 2 x socket; 2-pole; 100% protected against mismatching; pluggable - Item No.: 890-1606





Address

WAGO Kontakttechnik GmbH & Co. KG

Hansastr. 27

32423 Minden

Telefon: 0571/887-0

Fax: 0571/887-169

<http://www.wago.com>

© WAGO Kontakttechnik GmbH & Co. KG

Technische Änderungen und Irrtümer vorbehalten.