

DC Power Connectors

Order code	Manufacturer code	Description
22-3700	430250200	2W MICRO-FIT FREE RECEPTACLE
22-3702	430250400	4W MICRO-FIT FREE RECEPTACLE
22-3704	430250600	6W MICRO-FIT FREE RECEPTACLE
22-3706	430250800	8W MICRO-FIT FREE RECEPTACLE
22-3708	430251000	10W MICRO-FIT FREE RECEPTACLE

DC Power Connectors	Page 1 of 2
The enclosed information is believed to be correct, Information may change 'without notice' due to product improvement. Users should ensure that the product is suitable for their use. E. & O. E.	Revision A 04/07/2003

Micro-Fit 3.0™ Pitch Connectors

Molex 43025 Series – 3.00mm Pitch Micro-Fit 3.0™ Wire to Wire Receptacle

Features & Benefits

- Positive latching to mating headers or plugs
- Fully isolated contacts
- Fully polarised to mating receptacle
- Integral pull tabs for ease in unmating

Reference Information

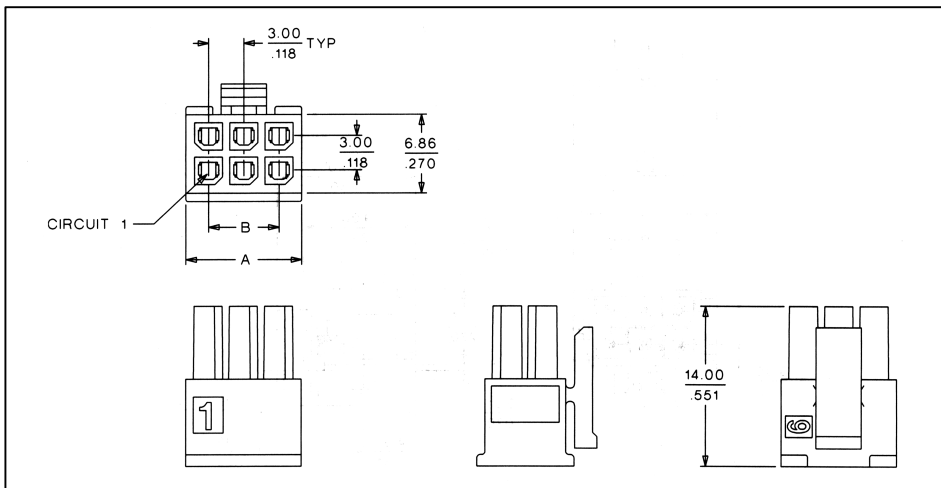
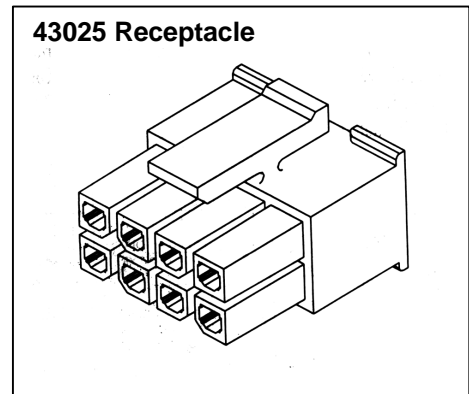
Product Specification: PS-43045
 UL File No: E29179
 CSA File No: LR19980
 Mates with: 43020 and 43045
 Use with: 43030

Specifications

Voltage: 250V
 Current: 5.0A max.
 Contact Resistance: 10mΩ max.
 Dielectric Withstanding Voltage: 1500V AC
 Insulation Resistance: 1000 MΩ min.

Physical

Housing: Polyester, UL 94V-0
 Contact: Phosphor bronze
 Plating: Tin or gold



Molex No.	Circuits	Dimensions	
		A	B
43025-0200	2	3.85 (.152)	
43025-0400	4	6.85 (.270)	3.00 (.118)
43025-0600	6	9.85 (.388)	6.00 (.236)
43025-0800	8	12.85 (.506)	9.00 (.354)
43025-1000	10	15.85 (.624)	12.00 (.472)