

## DC Power Connectors

Order code	Manufacturer code	Description
22-3714	n/a	2 WAY MICRO-FIT PANEL PLUG
22-3716	430200400	4 WAY MICRO-FIT PANEL PLUG
22-3718	n/a	6 WAY MICRO-FIT PANEL PLUG
22-3720	430200800	8 WAY MICRO-FIT PANEL PLUG
22-3722	n/a	10 WAY MICRO-FIT PANEL PLUG

DC Power Connectors	Page 1 of 2
The enclosed information is believed to be correct, Information may change 'without notice' due to product improvement. Users should ensure that the product is suitable for their use. E. & O. E.	Revision A 04/07/2003

## Micro-Fit 3.0™ Pitch Connectors

### Molex 43020 Series – 3.00mm Pitch Micro-Fit 3.0™ Wire to Wire Plug

#### Features & Benefits

- Fully isolated contacts
- Fully polarised to mating receptacle
- Integral pull tabs for ease in unmating

#### Reference Information

Product Specification: PS-43045  
 UL File No: E29179  
 CSA File No: LR19980  
 Mates with: 43025  
 Use with: 43031

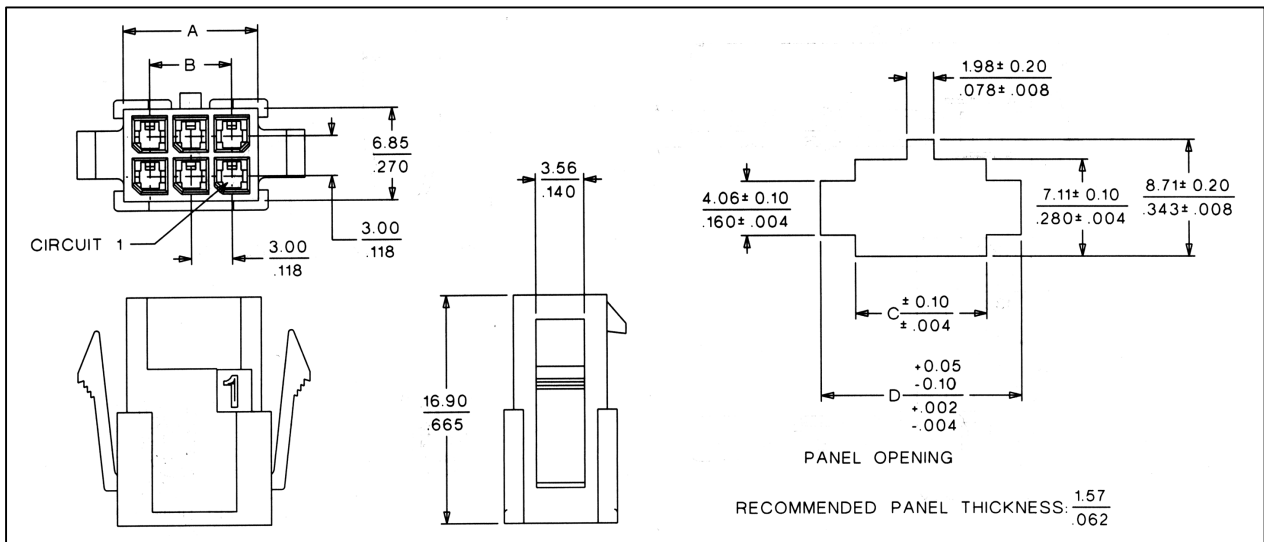
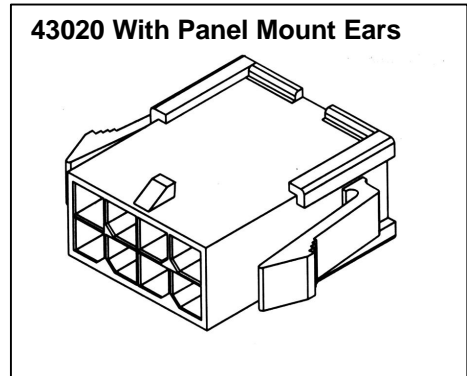
#### Specifications

Voltage: 250V  
 Current: 5.0A max.  
 Contact Resistance: 10mΩ max.  
 Dielectric Withstanding Voltage: 1500V AC  
 Insulation Resistance: 1000 MΩ min.

#### Physical

Housing: Polyester, UL 94V-0  
 Contact: Phosphor bronze  
 Plating: Tin or gold

**43020 With Panel Mount Ears**



Molex No.	Circuits	Dimensions			
		A	B	C	D
43020-0200	2	3.86 (.152)		4.09 (.161)	7.90 (.311)
43020-0400	4	6.85 (.270)	3.00 (.118)	7.09 (.279)	10.90 (.429)
43020-0600	6	9.85 (.388)	6.00 (.236)	10.08 (.397)	13.89 (.547)
43020-0800	8	12.85 (.506)	9.00 (.354)	13.08 (.515)	16.89 (.665)
43020-1000	10	15.85 (.624)	12.00 (.472)	16.06 (.633)	19.89 (.783)