

DC Power Connectors

Order code	Manufacturer code	Description
22-3730	430450212	2W MICRO-FIT VERTICAL HEADER
22-3732	430450412	4W MICRO-FIT VERTICAL HEADER (RC)
22-3734	430450612	6W MICRO-FIT VERTICAL HEADER
22-3736	n/a	n/a
22-3738	430451012	10W MICRO-FIT VERTICAL HEADER

DC Power Connectors	Page 1 of 2
The enclosed information is believed to be correct, Information may change 'without notice' due to product improvement. Users should ensure that the product is suitable for their use. E. & O. E.	Revision A 04/07/2003

Micro-Fit 3.0™ Wire to Board Header – Right Angle

Molex 43045 Series – 3.00mm Pitch Micro-Fit 3.0™ Wire To Board Header – Vertical, SMC

Features & Benefits

- “Offset Terminal Retention” for optimum retention to PCB during wave soldering
- Fully polarised to mating receptacle
- Peg feature provides polarization to PCB

Reference Information

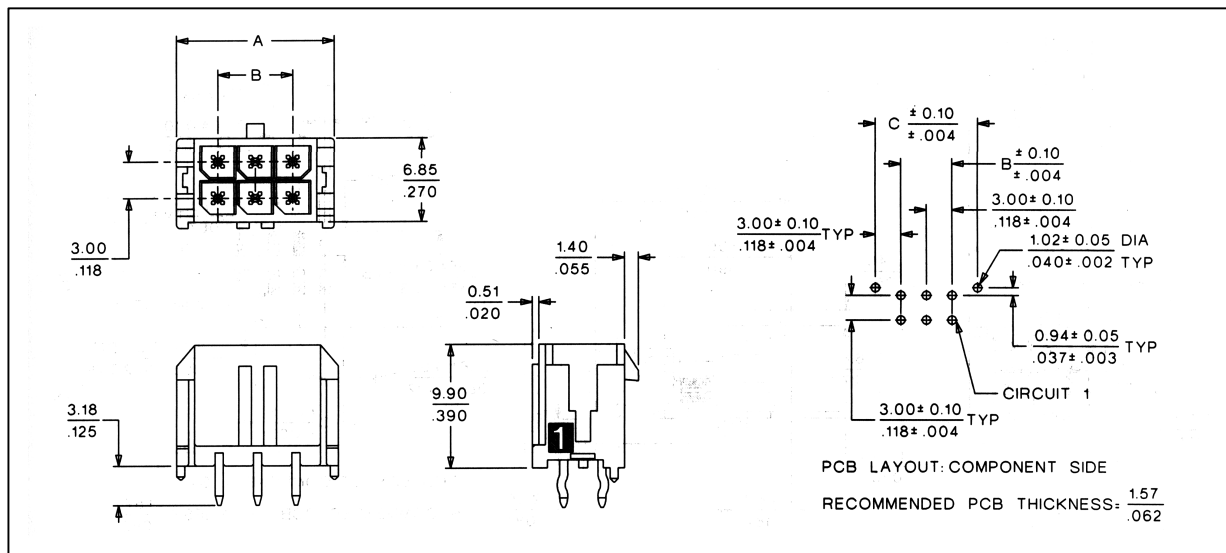
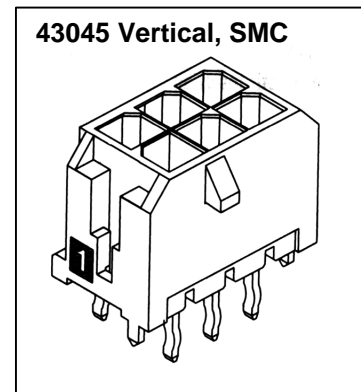
Product Specification: PS-43045
 Mates with: 43025

Specifications

Voltage: 250V
 Current: 5.0A max.
 Contact Resistance: 10mΩ max.
 Dielectric Withstand Voltage: 1500V AC
 Insulation Resistance: 1000MΩ

Physical

Housing: High temperature LCP, UL 94V-0
 Contact: Phosphor Bronze
 Plating: Tin



Molex Ref No.	Circuits	Dimensions		
		A	B	C
43045-0212	2	6.65 (.262)		6.00 (.236)
43045-0412	4	9.65 (.380)	3.00 (.118)	9.00 (.354)
43045-0612	6	12.65 (.498)	6.00 (.236)	12.00 (.472)
43045-0812	8	15.65 (.616)	9.00 (.354)	15.00 (.591)
43045-1012	10	18.65 (.734)	12.00 (.472)	18.00 (.709)