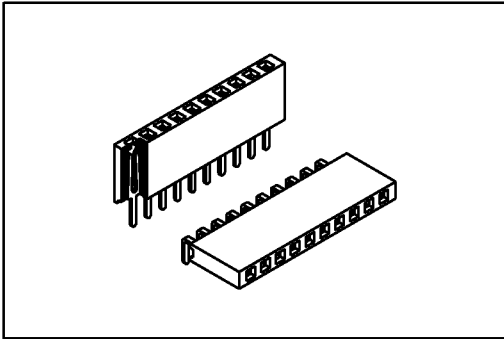


Order code	Manufacturer code	Description
22-5116	n/a	2 WAY R/A SINGLE ROW SOCKET (RC)
22-5118	n/a	3 WAY R/A SINGLE ROW SOCKET (RC)
22-5120	n/a	4 WAY R/A SINGLE ROW SOCKET (RC)
22-5122	n/a	5 WAY R/A SINGLE ROW SOCKET (RC)
22-5124	n/a	10 WAY R/A SINGLE ROW SOCKET (RC)
22-5126	n/a	15 WAY R/A SINGLE ROW SOCKET (RC)
22-5128	n/a	20 WAY R/A SINGLE ROW SOCKET (RC)
22-5130	n/a	25 WAY R/A SINGLE ROW SOCKET (RC)

	Page 1 of 2
The enclosed information is believed to be correct, Information may change 'without notice' due to product improvement. Users should ensure that the product is suitable for their use. E. & O. E.	Revision A 04/07/2003

2044 Series

P.C.B. Socket 2.54mm(0.100")

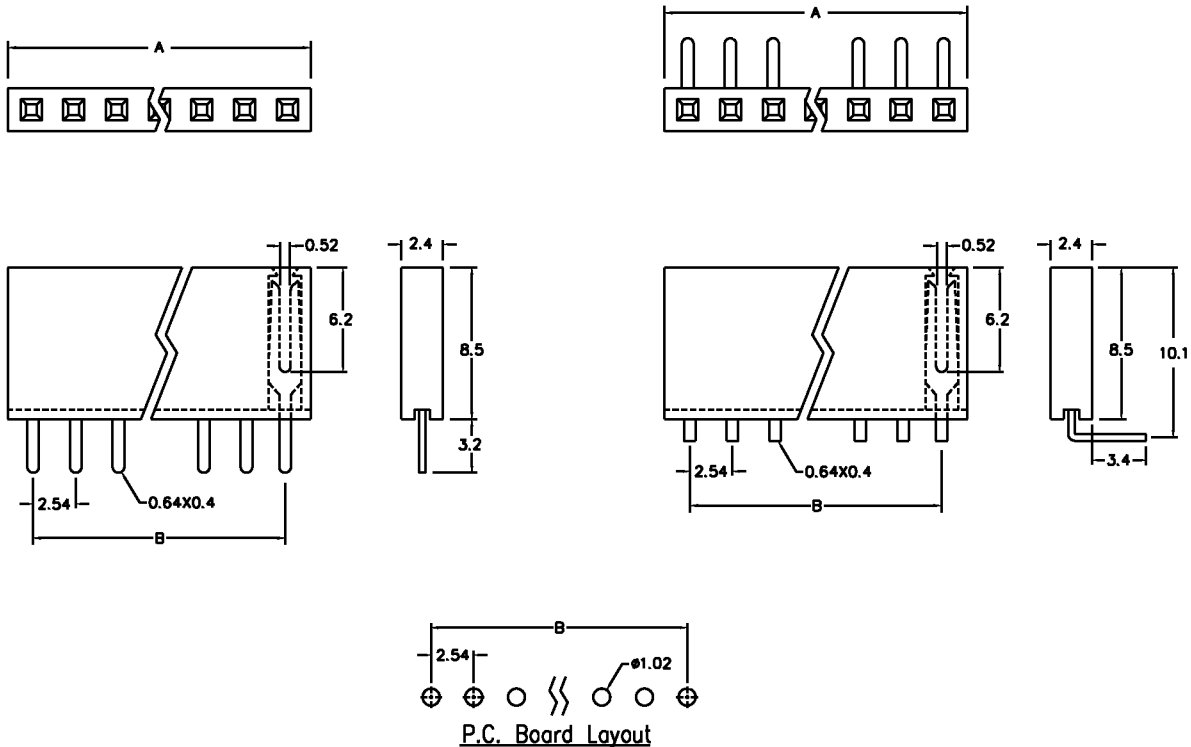


Material:
Housing: 30% Glass filled PBT UL94V-0.
Contacts: Phosphor Bronze.
Plating: Gold plated over nickel.
 Tin plated over nickel.

Electrical Characteristics:
Current Rating: 1 AMP.
Insulator Resistance: 5000MΩmin. at DC 500V.
Contact Resistance: 20mΩmax. at DC 100mA.
Operating Temperature: -55°C~+105°C.

- Features:**
- * Available in both Straight and Right Angle.
 - * High profile 8.50mm (0.335").
 - * Mates with 0.64mm (0.025") square pin.
 - * Turning fork contacts offer lower cost for competitive market.

Mates with: 2011,2012,2015.



Position	2 Thru 40
Dimension	
A	2.54 X No. of Positions +0.5
B	2.54 X No. of Positions -2.54

Ordering information

2044- 1 X 40 G 00 S A
 Series Single Row No. of Pin Per Row G: Gold Plated T: Tin Plated 00: G/F 10: 10 μ" 15: 15 μ" 30: 30 μ" S: Straight R: Right Angle A: Tray Package B: Bulk Package