

Mains plugs

Order code	Manufacturer code	Description
23-0195	CL1850	QUICKTEST MAINS CONNECTOR

Mains plugs	Page 1 of 2
The enclosed information is believed to be correct, Information may change 'without notice' due to product improvement. Users should ensure that the product is suitable for their use. E. & O. E.	Revision A 04/07/2003

THE QUICKTEST

13amp Mains Connector

An open and shut case for abolishing dangerous connections.

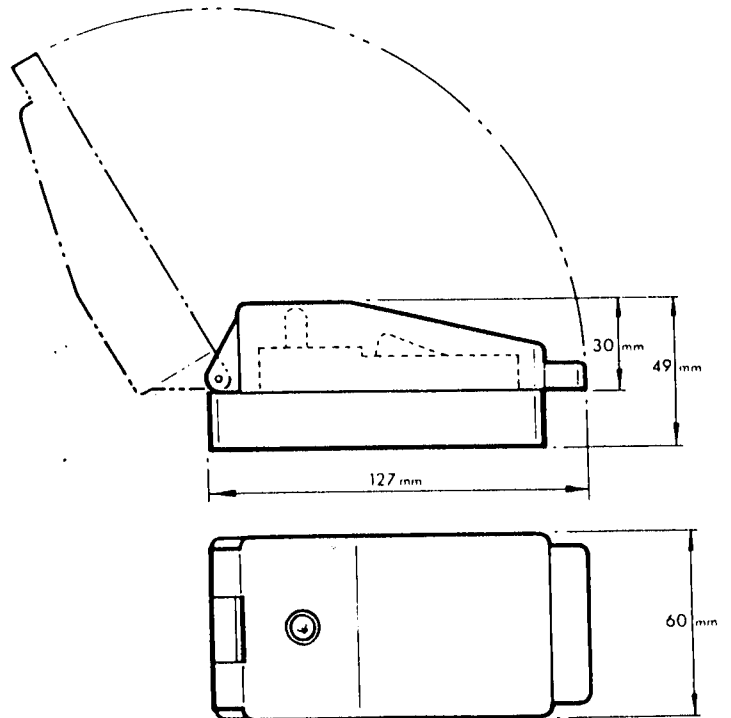
The Quicktest is ideal for electrical shops, factories, laboratories and service and test departments.

With the lid open the wires of a plugless lead are inserted into the insulated clips. When the lid is closed, current passes to the equipment being demonstrated or tested. The lid has a spring latch to hold it open when the Quicktest is wall-mounted.

A neon light shows that the connector is live and ready to use. The 13 amp fuse (BS 1362) is easily accessible for replacement.

The connector is made of tough safe materials. The base is phenolic moulded for insulation and rigidity. The lid is flame-retardent glass-filled thermo-plastic.

The insulated clips are colour coded for easy identification. The flexible cable grip will take any normal mains cable. Only one small screwdriver is needed for both the base and the terminal screws. In use ensure that no strands of wire are allowed to protrude from the insulated clips.



Dimensions in mm

RATED 13A. 240VAC.

- Plugless leads rapidly connected to mains
- Raised lid cuts current for safety
- Tough construction for everyday knocks
- Use as wander connector or screw to wall or bench
- Neon indicator lamp
- Economic cost