



IEC  
**LOCK**

## *IEC Appliance Outlet*



### **Features & Benefits**

- Snap-in mounting from front
- Solder terminal or quick connect from single terminal
- Class 1 Protection
- Integral plug retention feature

## *PA13 IEC Lock Appliance Outlet*



Unique patented lockable female C13 IEC connectors and outlets guard against accidental disconnection of any standard C14 Inlet.

Protects appliances that are vulnerable to vibration by preventing accidental removal.

Scolmore International Ltd, 1 Scolmore Park, Landsberg, Lichfield Road Ind. Estate, Tamworth, Staffordshire, B79 7XB

Telephone: 01827 63454

E-mail: [sales@scolmore.com](mailto:sales@scolmore.com), [technical@scolmore.com](mailto:technical@scolmore.com)

Facsimile: 01827 63362

Website: [www.scolmore.com](http://www.scolmore.com)



**IEC Appliance Outlet**

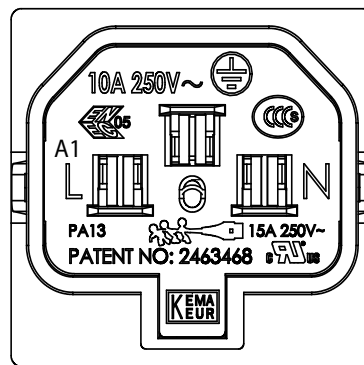
**Product Range**

**6.3mm Wide Terminal Type**

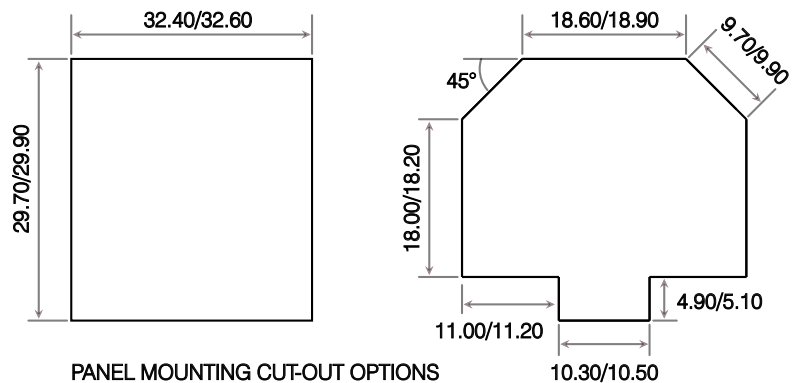
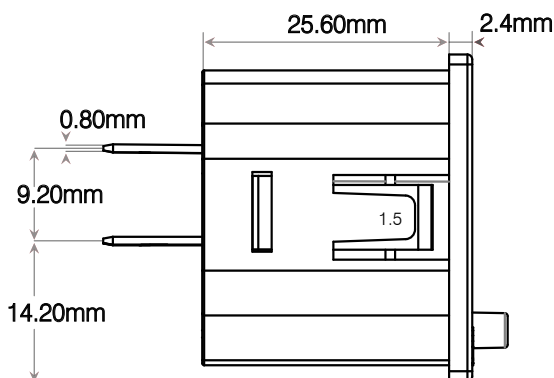
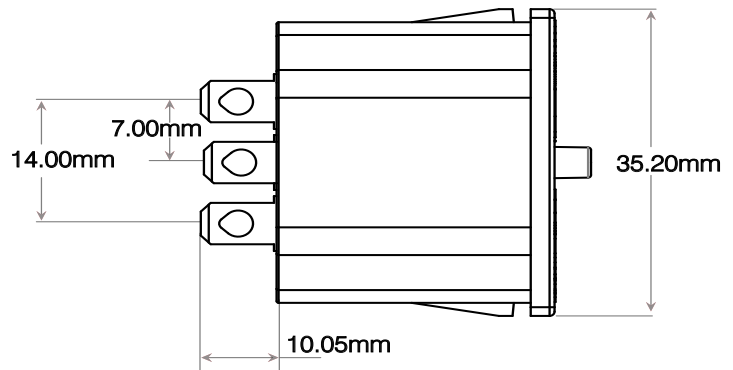
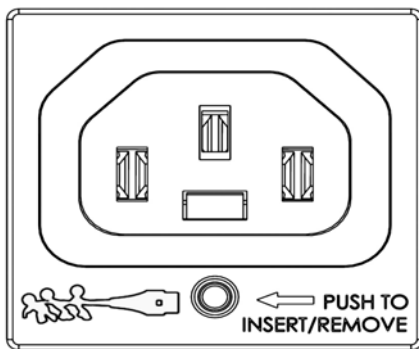
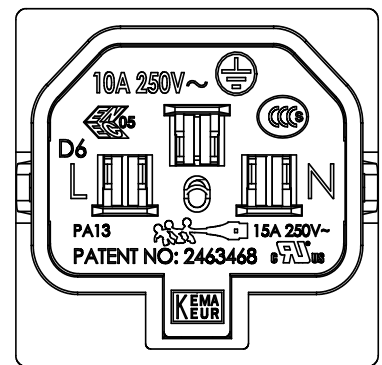
<b>PA135010**</b>	C13 Appliance Outlet, 6.3 Terminal, 1.0mm Panel Thickness
<b>PA135012**</b>	C13 Appliance Outlet, 6.3 Terminal, 1.2mm Panel Thickness
<b>PA135015**</b>	C13 Appliance Outlet, 6.3 Terminal, 1.5mm Panel Thickness



**Tool A1**



**Tool D6**



**PANEL MOUNTING CUT-OUT OPTIONS**

\*\* Denotes outlet finish, either Black (BK) or White (WH). Errors & Omissions excluded. Specification is subject to change without notice.



## IEC Appliance Outlet

### Technical Specification

#### IEC Appliance Outlets

<b>Rating</b>	10A/250V AC
<b>Insulation Resistance</b>	100MΩ (500V DC, 1 Min)
<b>Dielectric Strength</b>	2KV (50Hz 1Min) to accessible surfaces
<b>Lock Retention</b>	>100N
<b>Temperature Rating</b>	-20°C To +70°C

<b>Materials</b>	Face	Polyamide 66 (PA66) - To RAL Colour 9004 (Signal Black) Gloss Finish
	Back Cover	Polyamide 66 (PA66) - To RAL Colour 9004 (Signal Black) Gloss Finish
	Contacts	Tin Plated Copper Alloy (CuSn5 PB102 1/2 Hard Phosphor Bronze)
	Push Button	Polycarbonate - To Ral Colour 3020 (Traffic Red)
	Spring	Steel (Zinc Plated, Clear Passivate and de-embrittle)
	Locking Tab	Plated Steel (CS70 harden to vickers 430/500) Nickel Plate 2-4 Microns

#### Patent

<b>UK Number</b>	2463468
<b>EU Number</b>	09787171.9
<b>Russian Federation</b>	2474020
<b>Canadian Number</b>	2,734,113
<b>HK Number</b>	HK1141901
<b>Chinese Number</b>	CN 102150330 A

#### Standards & Approvals

<b>Standards</b>	IEC / EN 60320-1:2001 + A1: 2007, IEC / EN 60320-2-2:1998
	UL 498
	CSA C22.2 No 182.3-M1987

<b>Approvals</b>	10A				15A	
------------------	-----	---	---	--	-----	---

\*\* Denotes outlet finish, either Black (BK) or White (WH). Errors & Omissions excluded. Specification is subject to change without notice.

V2.3

Scolmore International Ltd, 1 Scolmore Park, Landsberg, Lichfield Road Ind. Estate, Tamworth, Staffordshire, B79 7XB

Telephone: 01827 63454

E-mail: sales@scolmore.com, technical@scolmore.com

Facsimile: 01827 63362

Website: www.scolmore.com