

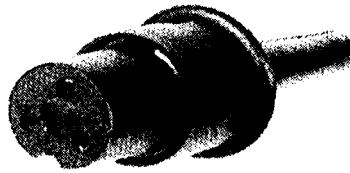
## DC Power Connectors

Order code	Manufacturer code	Description
23-1205	PX0631	3 POLE MINIATURE FREE SOCKET

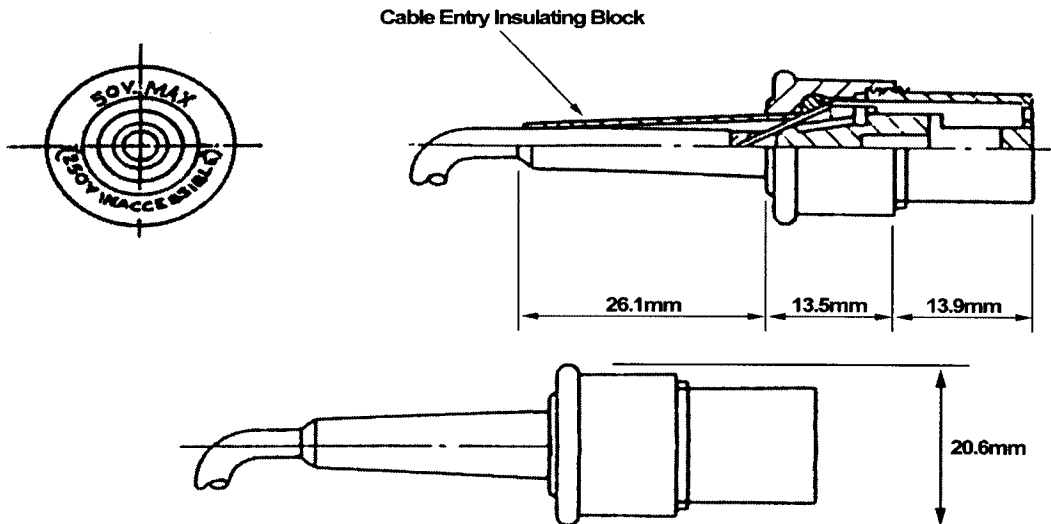
DC Power Connectors	Page 1 of 2
The enclosed information is believed to be correct, Information may change 'without notice' due to product improvement. Users should ensure that the product is suitable for their use. E. & O. E.	Revision A 04/07/2003

## 3 Pole Free Socket

### Photograph



### Technical Specification



Max Voltage	:	50V
Max Current Rating	:	2Amp
Insertion Resistance	:	10m $\Omega$ Max. (Initial Per Pole)
Insulation Resistance	:	40M $\Omega$ Min. (@ 500Vdc)
High Voltage Proof Test	:	2KV RMS (50Hz for 1Min)
Working Temperature	:	-20°C to 60°C

### Further Information

Generally used for low voltage/low power connections. The connector has been commonly adopted for connection of soldering irons to power supplies.