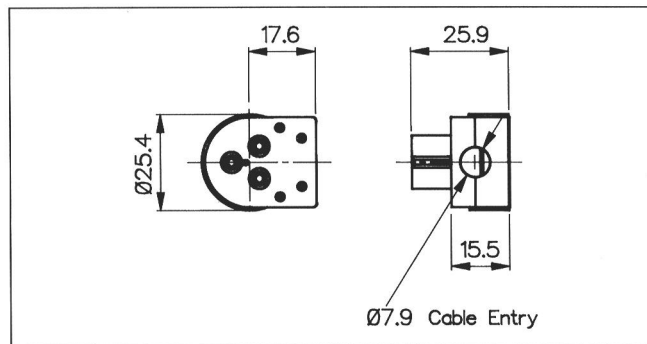
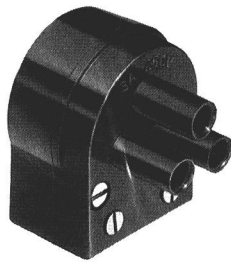


General Purpose Miniature Mains Connectors

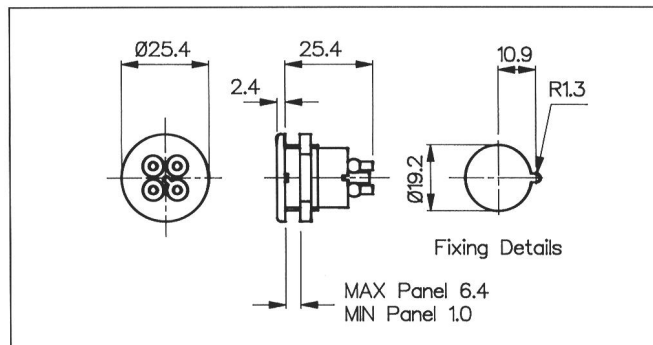
Free Plug (23-1230)

Dimensions



Chassis Socket (23-1235)

Dimensions



Bulgin Type	SA2403	SA2404
Termination	Screw Terminals	Solder Sockets
Maximum Rating	3A. 250V a.c.	3A. 250V a.c.
Contact Resistance	<10 mΩ	<10 mΩ
Insulation Resistance	>10 ⁴ MΩ	>10 ⁴ MΩ
A.C. Breakdown	Pole-Pole 4.2kV Poles-Accessible Parts 2kV	Pole-Pole 4.2kV Poles-Panel 8.2kV
Operating Temp. Range	-20°C to +70°C	-20°C to +70°C
Mouldings	Glass Filled Nylon	Glass Filled Nylon
Contacts	Pins/Terminals: Brass, Nickel Plated	Sockets: Brass, Tin Plated
Mates With	SA2404	SA2403