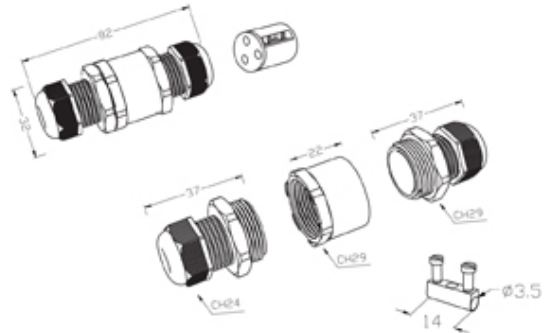


### THB.390.C1A

TeeTube Mini 3 Pole Screw - end barrier contact 7mm to 13.5mm, 4 mm max conductor size IP68 32A 450V 3 cable entries



#### SPECIFICATION

Cable entries	3
Number of poles	3
Terminal type	Screw - end barrier contact
Body material	PA66 / TPE
Max conductor size (Sq mm)	4
Max current (A)	32
Max voltage (V)	450
Minimum temp rating °C	-40
IP rating	68
Max temp rating °C	125
Fixing system	Cable
Maximum cable diameter (mm)	13.5
Minimum cable diameter (mm)	7
Temperature "T" rating	T85