

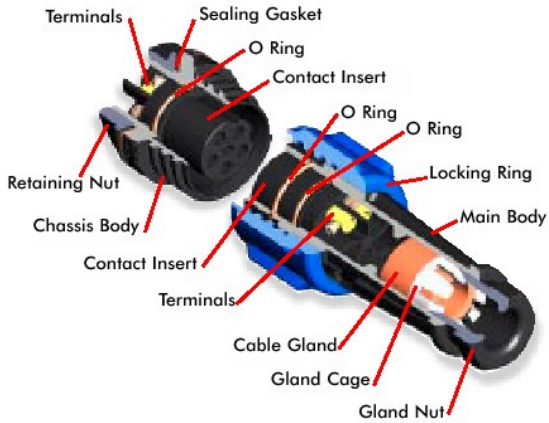
Weatherproof Connectors

Order code	Manufacturer code	Description
23-2528	PX0735P	BUCCANEER PANEL PLUG 2 WAY
23-2530	PX0730P	BUCCANEER PANEL PLUG 3 WAY
23-2532	PX0747P	BUCCANEER PANEL PLUG 4 WAY
23-2534	PX0738P	BUCCANEER PANEL PLUG 6 WAY
23-2536	PX0744P	BUCCANEER PANEL PLUG 7 WAY
23-2538	PX0727P	BUCCANEER PANEL PLUG 9 WAY
23-2540	PX0822P	BUCCANEER PANEL PLUG 25 WAY
23-2542	PX0735S	BUCCANEER PANEL SOCKET 2 WAY
23-2544	PX0730S	BUCCANEER PANEL SOCKET 3 WAY
23-2546	PX0747S	BUCCANEER PANEL SOCKET 4 WAY
23-2548	PX0738S	BUCCANEER PANEL SOCKET 6 WAY
23-2550	PX0744S	BUCCANEER PANEL SOCKET 7 WAY
23-2552	PX0727S	BUCCANEER PANEL SOCKET 9 WAY
23-2554	PX0822S	BUCCANEER PANEL SOCKET 25 WAY

Weatherproof Connectors	Page 1 of 2
The enclosed information is believed to be correct, Information may change 'without notice' due to product improvement. Users should ensure that the product is suitable for their use. E. & O. E.	Revision A 04/07/2003

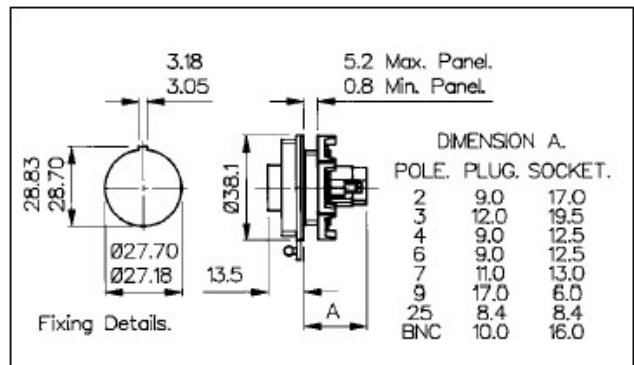
Connectors - Multipole

Buccaneer®



Main Characteristics:

- Chassis Mount Connector.
- IP68 Rating.
- Single Nut Fixing.
- Pin or Socket Versions.
- Mates with Flex Cable Connector.



Poles	Termination	Contact Types	Contacts
2	Screw	Pin	Supplied Fitted
3	Screw	Pin	Supplied Fitted
4	Screw	Pin	Supplied Fitted
6	Screw	Pin	Supplied Fitted
7	Screw	Pin	Supplied Fitted
9	Crimp	Pin	Supplied Loose
25	Crimp/Solder	Pin	Order Separately
2	Screw	Socket	Supplied Fitted
3	Screw	Socket	Supplied Fitted
4	Screw	Socket	Supplied Fitted
6	Screw	Socket	Supplied Fitted
7	Screw	Socket	Supplied Fitted
9	Crimp	Socket	Supplied Loose
25	Crimp/Solder	Socket	Order Separately