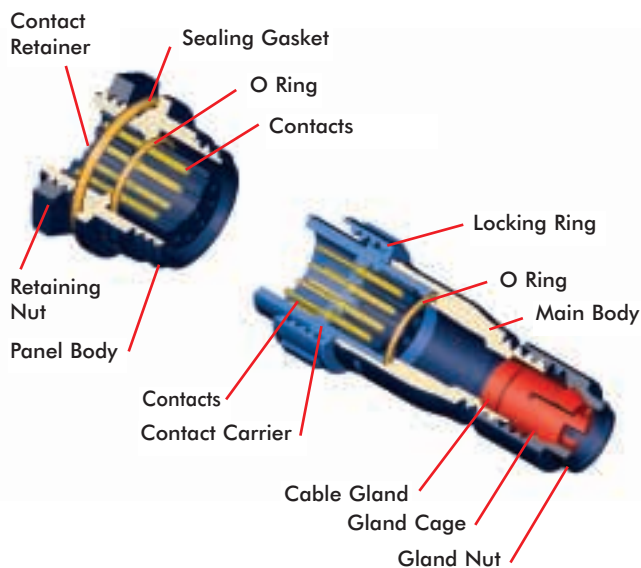


Weatherproof Connectors

Order code	Manufacturer code	Description
23-2650	PX0410/02S/5560	2 WAY FREE SOCKET MICRO BUCCANNEER
23-2652	PX0410/03S/5560	3 WAY FREE SOCKET MICRO BUCCANNEER (RC)
23-2654	PX0410/04S/4550	4 WAY FREE SOCKET MICRO BUCCANNEER
23-2656	PX0410/06S/4550	6 WAY FREE SOCKET MICRO BUCCANNEER
23-2658	PX0410/08S/6065	8 WAY FREE SOCKET MICRO BUCCANNEER
23-2660	PX0410/10S/6065	10 WAY FREE SOCKET MICRO BUCCANNEER
23-2662	PX0410/12S/6065	12 WAY FREE SOCKET MICRO BUCCANNEER
23-2664	PX0410/02P/5560	2 WAY FREE PLUG MICRO BUCCANNEER
23-2666	PX0410/03P/5560	3 WAY FREE PLUG MICRO BUCCANNEER
23-2668	PX0410/04P/4550	4 WAY FREE PLUG MICRO BUCCANNEER
23-2670	PX0410/06P/4550	6 WAY FREE PLUG MICRO BUCCANNEER
23-2672	PX0410/08P/6065	8 WAY FREE PLUG MICRO BUCCANNEER
23-2674	PX0410/10P/6065	10 WAY FREE PLUG MICRO BUCCANNEER
23-2676	PX0410/12P/6065	12 WAY FREE PLUG MICRO BUCCANNEER
23-2678	PX0411/02S/5560	2 WAY IN LINE SOCKET MICRO BUCCANNEER
23-2680	PX0411/03S/5560	3 WAY IN LINE SOCKET MICRO BUCCANNEER
23-2682	PX0411/04S/4550	4 WAY IN LINE SOCKET MICRO BUCCANNEER
23-2684	PX0411/06S/4550	6WAY IN LINE SOCKET MICRO BUCCANNEER
23-2686	PX0411/08S/6065	8 WAY IN LINE SOCKET MICRO BUCCANNEER
23-2688	PX0411/10S/6065	10 WAY IN LINE SOCKET MICRO BUCCANNEER
23-2690	PX0411/12S/6065	12 WAY IN LINE SOCKET MICRO BUCCANNEER
23-2692	PX0411/02P/5560	2 WAY IN LINE PLUG MICRO BUCCANNEER
23-2694	PX0411/03P/5560	3 WAY IN LINE PLUG MICRO BUCCANNEER
23-2696	PX0411/04P/4550	4 WAY IN LINE PLUG MICRO BUCCANNEER
23-2698	PX0411/06P/4550	6 WAY IN LINE PLUG MICRO BUCCANNEER
23-2700	PX0411/08P/6065	8 WAY IN LINE PLUG MICRO BUCCANNEER
23-2702	PX0411/10P/6065	10 WAY IN LINE PLUG MICRO BUCCANNEER
23-2704	PX0411/12P/6065	12 WAY IN LINE PLUG MICRO BUCCANNEER
23-2706	PX0412/02S	2 WAY CHASS SOCKET MICRO BUCCANNEER
23-2708	PX0412/03S	3 WAY CHASS SOCKET MICRO BUCCANNEER
23-2710	PX0412/04S	4 WAY CHASS SOCKET MICRO BUCCANNEER
23-2712	PX0412/06S	6 WAY CHASS SOCKET MICRO BUCCANNEER
23-2714	PX0412/08S	8 WAY CHASS SOCKET MICRO BUCCANNEER
23-2716	PX0412/10S	10 WAY CHASS SOCKET MICRO BUCCANNEER
23-2718	PX0412/12S	12 WAY CHASS SOCKET MICRO BUCCANNEER
23-2720	PX0412/02P	2 WAY CHASSIS PLUG MICRO BUCCANNEER
23-2722	PX0412/03P	3 WAY CHASSIS PLUG MICRO BUCCANNEER
23-2724	PX0412/04P	4 WAY CHASSIS PLUG MICRO BUCCANNEER
23-2726	PX0412/06P	6 WAY CHASSIS PLUG MICRO BUCCANNEER
23-2728	PX0412/08P	8 WAY CHASSIS PLUG MICRO BUCCANNEER
23-2730	PX0412/10P	10 WAY CHASSIS PLUG MICRO BUCCANNEER
23-2732	PX0412/12P	12 WAY CHASSIS PLUG MICRO BUCCANNEER

Weatherproof Connectors	Page 1 of 5
The enclosed information is believed to be correct, Information may change 'without notice' due to product improvement. Users should ensure that the product is suitable for their use. E. & O. E.	Revision A 04/07/2003

400 Series Buccaneer®



- Diameter over coupling ring 19.1mm
- 2 and 3 pole - 8A, 250V rating
- 4, 6 and 8 pole - 5A, 125V rating
- 10 and 12 pole - 1A, 50V rating
- 2.5mm contact engagement for electrical integrity
- 'Scoop proof' contacts
- Contact inserts are part of body moulding
- Cable range from 3 to 7mm
- Overall length (flex + flex in-line) 80mm
- UL and VDE approvals
- Flex, Flex In-Line, and Panel mounting body styles
- Plug and Socket versions in all body styles
- Sealed to IP68 when mated
- IP68 rating tested at 15lb/sq in (10m depth) for 2 weeks
- Flame Retardant moulding material - Polyamide UL94-V0
- Contacts supplied separately
- Sealing caps available to maintain IP68 rating
- Secure sealing system
- Crimp and solder contacts

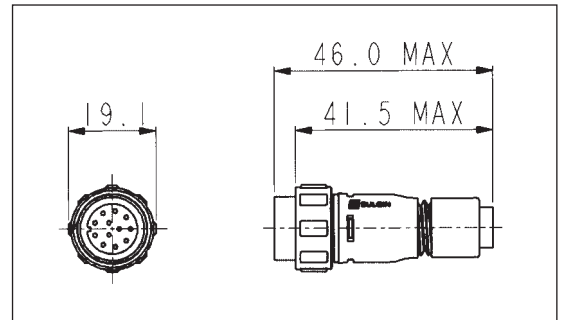
BBULGIN Buccaneer® Connectors

Buccaneer® Connectors

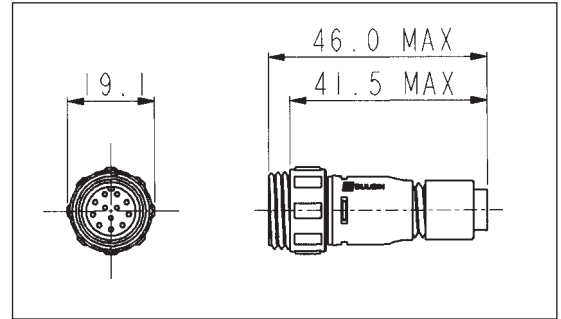
400 Series Buccaneer®



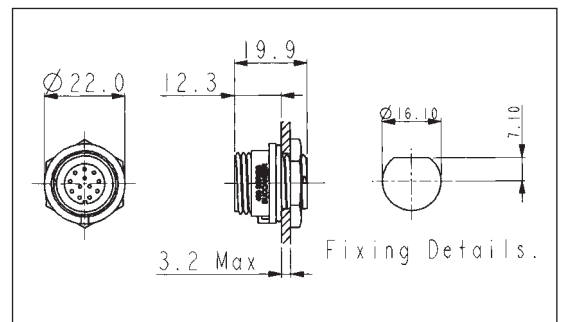
- Flex Cable Connector
- Screw locking ring
- Mates with Flex In-line or Panel mounting versions (PX0411 & PX0412)
- Contacts supplied separately



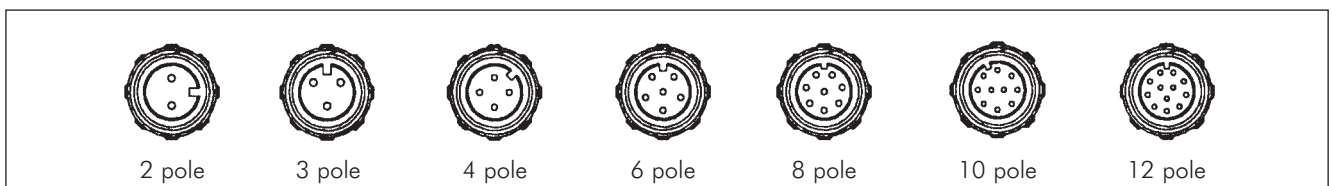
- In-line Flex Cable Connector
- Screw locking ring
- Mates with PX0410
- Contacts supplied separately



- Panel Mounting Connector
- Single hole fixing
- Mates with PX0410
- Contacts supplied separately



Contact layout

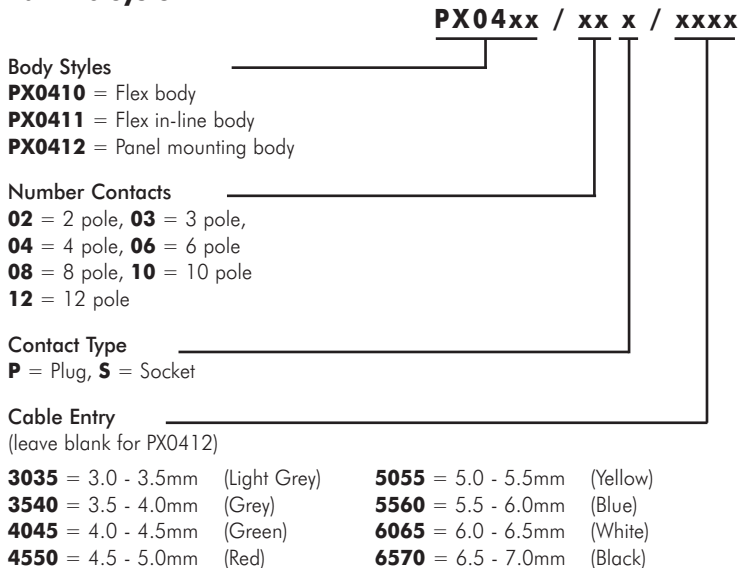


- PX0480**
Fits PX0412 style (panel body).
- PX0480/1**
Fits PX0411 style (flex in-line).
- PX0481**
Fits PX0410 style (flex body).

Gland Packs

- PX0482** Pack of 4 pairs cable collets and seals to suit cables from 3.0 to 5.0mm diameter.
- PX0483** Pack of 4 pairs cable collets and seals to suit cables from 5.0 to 7.0mm diameter.

Part No System



Ordering Information

- Determine body style, i.e. PX0410 = flex body, PX0411 = flex in-line body
- Determine number of contacts & type, i.e. 02 = 2 way, P = pin contacts
- Determine cable range, i.e. 3035 = 3.0 to 3.5mm cable accommodation
- Choose appropriate contacts pack, i.e. SA3350 = pin contacts suitable for 2 & 3 way connectors, supplied in pack quantities of 10
- Is a sealing cap required?
- Is an insertion tool required?
- Is a crimp tool required?

Configuration

- Crimp contacts supplied separately in packs (see table below)
- Solder contacts supplied separately in packs (see table below)
- Supplied with colour coded sealing glands for specified cable range
- Separate gland packs available
- Contact inserts are part of body moulding - no assembly required
- Sealing caps supplied separately

Crimp Contacts

Pole	Pin	Socket	Pack Qty	Cable Acceptance (dia)	Current Rating
2, 3	SA3350	SA3349	10	20 - 24 AWG	8A
4, 6, 8	SA3348	SA3347	10	22 - 26 AWG	5A
10, 12	SA3180	SA3179	10	24 - 28 AWG	1A

Solder Contacts

Pole	Pin	Socket	Pack Qty	Cable Acceptance (dia)	Current Rating
2, 3	SA3350/1	SA3349/1	10	20 - 24 AWG	8A
4, 6, 8	SA3348/1	SA3347/1	10	22 - 26 AWG	5A
10, 12	SA3180/1	SA3179/1	10	24 - 28 AWG	1A

Contact Insertion Tools

	Contact rating	Colour	Part No
Insertion/Extraction Tool	1A	Green	13027
Insertion/Extraction Tool	5A	Red	13027/1
Insertion/Extraction Tool	8A	Blue	13027/2


Crimp Tools

	Contact rating	Colour	Part No
Positioner	1A	Green	14025/1AMP
Positioner	5A	Red	14025/5AMP
Positioner	8A	Blue	14025/8AMP
8 Indent Crimp Tool for use with positioners			14025

400 Series Buccaneer®

Specification

Electrical:

Poles:	2, 3	4, 6, 8	10, 12
Current Rating:	8A	5A	1A
Voltage Rating:	250V	125V	50V
Contact Resistance:	<5mΩ		
Insulation Resistance:	>10 ⁶ MΩ (@ 500V a.c.)		
AC Breakdown Voltage:	2.5kV		
Operating Temperature Range:	-40° to +80°C		
Approvals:			

* pending

Material:

Body Mouldings:	Polyamide
Flammibility Rating:	UL94V-0
UV Resistance:	To EN 50021:1999
Contacts:	Copper alloy, Gold plated
O Rings:	Nitrile
Panel Sealing O Ring:	Nitrile

Mechanical:

Sealing:	IP68, EN 60529 tested @ 15lb/sq in (10m depth for 2 wks)						
Cable Acceptance:	3.0 - 7.0mm						
Contact Accommodation:	2, 3 pole, 20 - 24 AWG 4, 6, 8 pole, 22 - 26 AWG 10, 12 pole, 24 - 28 AWG						
Termination:	Crimp and solder						
Insertion/Withdrawal Force:							
No. poles:	2	3	4	6	8	10	12
Insertion Force (typ):	19N	25N	27N	27N	28N	55N	62N
Withdrawal Force (typ):	12N	17N	17N	21N	22N	25N	29N
Cable Retention force:	80N						

Dimensions:

Overall dimensions of connectors when mated together	
Flex + Flex In-Line	80mm
Dia. over coupling ring	19.1mm