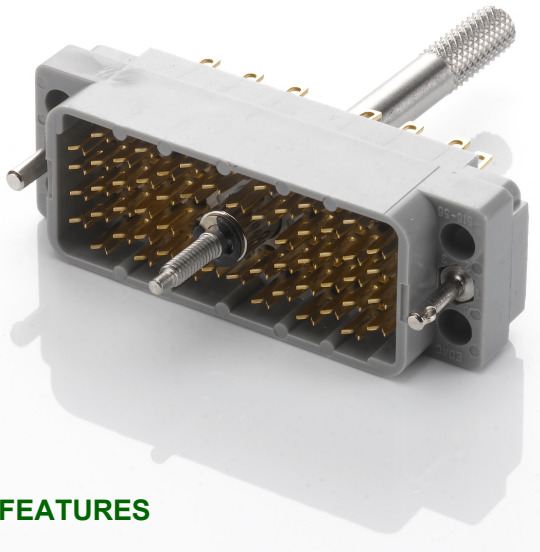
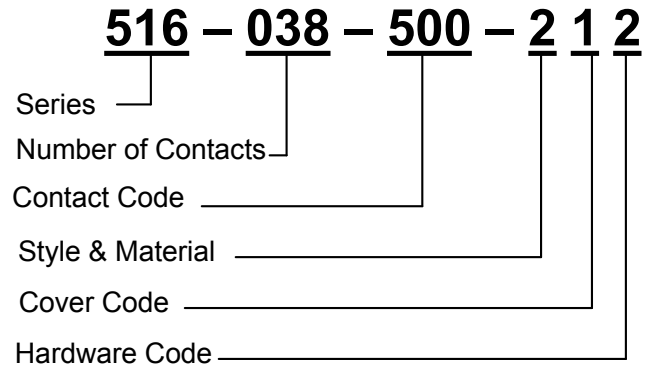


# 516 Series Rack & Panel Connector



## ORDERING GUIDE



## FEATURES

- UL recognized
- Plug/Receptacle available with 20, 38, 56, 90 or 120 contacts
- Edacon hermaphroditic contact mating design
- Contact termination options include: Crimp, P.C. Tail, Wire Hole, and Wire Wrap
- Mating and unmating simplified with actuating screws
- Optional covers with side or top entry cable clamp in plastic or metal material available for all connector sizes
- Polarizing hardware adjustable for 288 mating combinations
- Tools available for contact installation, removal, crimping and polarizing changes

## SPECIFICATIONS

- Insulator: UL94V-0 Diallyl Phthalate or Thermoplastic Polyester
- Colour: Green, or Polycarbonate: Grey
- Contact Material: Phosphor Bronze Alloy CA-510
- Contact Plating: Gold over nickel for entire contact
- Cover Material: Polycarbonate
- Colour: Green, or Die-Cast Zinc, finished with grey enamel paint
- Current Rating: 8.5 Amperes
- Contact Resistance: 10 Milliohms maximum
- Dielectric Withstanding Voltage: 2000V AC rms at sea level
- Insulation Resistance: 5000 Megohms minimum
- Operating Temperature: -65 to +125 degrees C
- Insertion and Withdrawal Force: 2 to 16 oz (0.56 to 4.45N) per contact position

**EDAC** (Europe)

[www.edac.co.uk](http://www.edac.co.uk)

**FOR MORE INFORMATION PLEASE CONTACT:**

[sales@edac.co.uk](mailto:sales@edac.co.uk)

<u>Contact Code</u>	<u>Description</u>	<u>Tail Length "G"</u>	
000	No Contacts Assembled		
500	Wire Hole .110 x .024 (2.79 x 0.61)	.245	(6.22)
520	P.C. Tail .025 x .024 (0.64 x 0.61)	.215	(5.46)
540	Wire Wrap .050 x .024 (1.27 x 0.61)	.600	(15.24)
541	Wire Wrap .026 x .024 (0.66 x 0.61)	.620	(15.75)
542	Wire Wrap .050 x .024 (1.27 x 0.61)	.790	(20.07)
Reel form (1800/reel) crimp contacts		part no. 516-290-591	
or loose crimp contacts		part no. 516-290-590	
are also available for the 516 series connector.			

<u>Style and Material</u>	<u>Style</u>	<u>Insulator Material</u>
1	Plug	Green DAP
2	Receptacle	Green DAP
3	Plug	Grey Polycarbonate
4	Receptacle	Grey Polycarbonate
5	Plug	Green Polyester
6	Receptacle	Green Polyester

<u>Cover Code</u>	<u>Description</u>
0	No Cover Assembled
1	Plastic Cover, Side Entry, Standard Clamp
2	Plastic Cover, Top Entry Standard Clamp
3	Plastic Cover, Side Entry Large Clamp
4	Plastic Cover, Top Entry Large Clamp
5	Metal Cover, Side Entry
6	Metal Cover, Top Entry

<u>Hardware Code</u>	<u>Description</u>
0	No Hardware Assembled
1	Actuating Screw and Polarizing Hardware
2	Locknut and Polarizing Hardware
5	Actuating Screw with No Polarizing Hardware
6	Locknut with No Polarizing Hardware

Ordering Code Notes

1. Crimp contacts are also available for the 516 series connector. Contacts may be ordered separately for pre-wired or select position assembly.
2. Covers may be ordered separately. See over.
3. Insulator design prevents improper mating of individual plug and receptacle. Polarizing hardware enables specific plug and receptacle mating combinations.

EDAC (Europe) Ltd., Brick Close, Kiln Farm,

Milton Keynes, MK11 3JB, United Kingdom

Tel: +44 (0) 1908 569333 Fax: + 44 (0) 1908 569444

# COVER ORDERING CODE

**516 - 230 - 5 56**

Series ————  
 Cover Ident. Code ————  
 Cover Type ————  
 Cover Size ————

Cover Type	Description
1	Plastic Cover, Side Entry Standard Clamp
2	Plastic Cover, Top Entry Standard Clamp
3	Plastic Cover, Side Entry Large Clamp
4	Plastic Cover, Top Entry Large Clamp
5	Metal Cover, Side Entry
6	Metal Cover, Top Entry

Cover Size	Fits Connector
12	516 Series 120 Pin
20	516 Series 20 Pin and 519 Series 14 Pin
38	516 Series 38 Pin and 519 Series 36 Pin
56	516 Series 56 Pin
90	516 Series 90 Pin

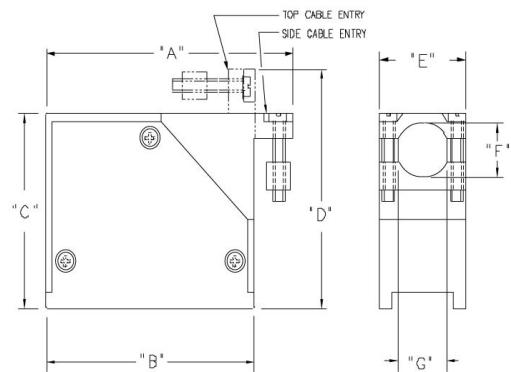
### Ordering Notes

1. Plastic covers with large clamps are only available for 38 and 56 pin size connectors
2. Metal covers with side entry may be converted to top entry by removing side plate and changing clamp orientation

### FEATURES

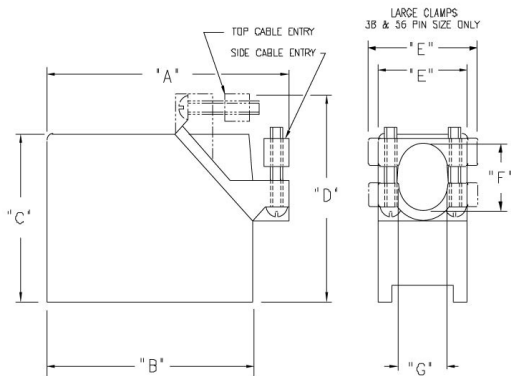
1. Versatile metal cover design permits assembly or disassembly after cabling is complete
2. Screws for securing cover to 516 or 519 series connectors supplied

### METAL COVERS

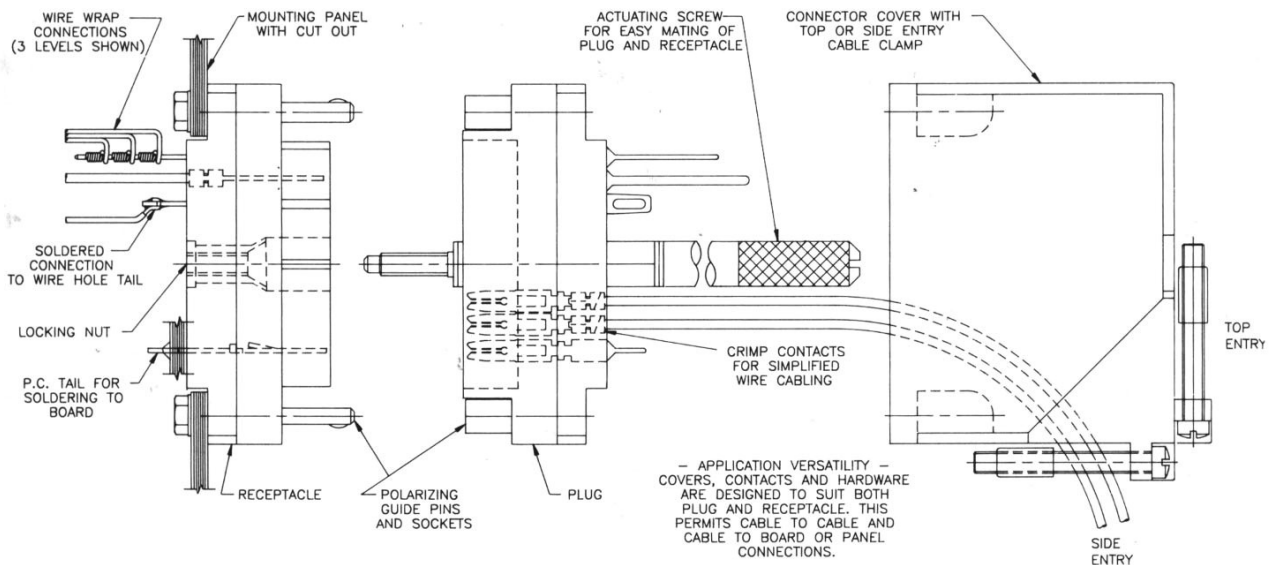


NEW COVER DESIGN (AVAILABLE SOON) WILL ELIMINATE 3 SCREWS FOR SIDE TO SIMPLIFY ASSEMBLY, DISASSEMBLY AND CLAMP ORIENTATION CHANGES  
 SCREWS FOR SECURING THE COVER TO THE CONNECTOR ARE SUPPLIED BY EDAC

### PLASTIC COVERS



### RACK AND PANEL CONNECTORS



FOR MORE DETAILED DESCRIPTIONS AND SPECIFICATIONS VISIT THE EDAC WEBSITE  
[www.edac.co.uk](http://www.edac.co.uk)