

# IP68 3x power 6x data connector

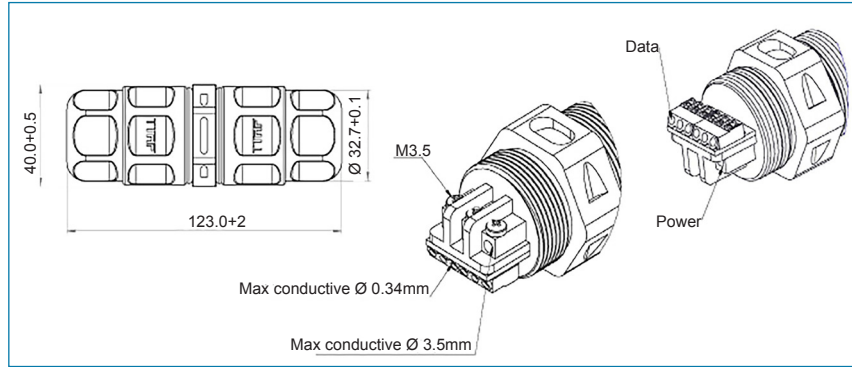
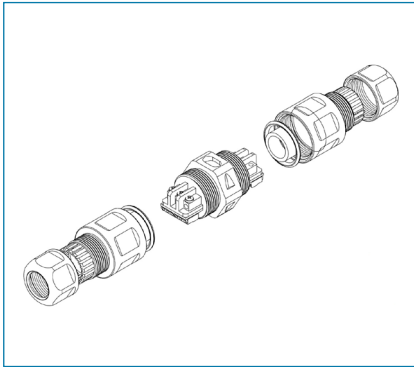
## Product overview

- IP68 in-line 3 power 6 data connector
- Provides a waterproof data connection not previously available
- Enables power supply and data in one connection
- One piece construction: No risk of small parts being dropped during installation
- Heavy duty, robust and strong
- Excellent solution in situations where secure data or network connections is required outdoors in testing, monitoring or gathering data



SPECIFICATION	
Voltage rating	250VAC max/data: 50VDC/VAC
Current rating	25A max/data: 1A max
Min wire size OD	10mm
Max wire size OD	14mm
Contact resistance	1 mΩ max
Insulation structure	1000 mΩ at 1000VDC
Temperature rating	-40°C - +85°C
IP rating	IP68
Mould material	PA6
Contact/terminal material	Nickel plated brass
Seal material	Silicone
Number of poles	3 power + 6 data
Durability voltage	1500VAC @ 60s

PART NO.	DESCRIPTION
CPWP3P6DI	In-line 3 power 6 data connector



# IP68 panel mount connector

## Product overview

- Panel mount connection
- Integrated terminal design means no small parts to drop
- One piece construction
- Heavy duty, robust and strong
- Compact, therefore more options to accommodate during installation
- Colour coded screws/terminals make installation easier
- Brail points to allow installation in low light conditions
- One piece construction removes possibility of mis-assembly
- Made to EN-61984
- CE approved



SPECIFICATION	
Voltage rating	250V
Current rating	16A
Min wire size OD	6mm
Max wire size OD	10mm
Contact resistance	10mΩ
Insulation structure	500 mΩ at 500VDC
Temperature rating	-40°C - +105°C
IP rating	IP68
Mould material	PA66
Contact/terminal material	Nickel-plated brass
Seal material	EPDM 70Sh A
Number of poles	3
Durability voltage	1500VAC @ 60s

PART NO.	DESCRIPTION
CPWP3PM	Panel mounting connector

