

The Dual Power Socket with Dual USB Outlet allows you to charge / power 2x USB devices and 2 other electrical items from one double wall plate.

The USB charging sockets are compatible with items such as smart phones, tablets and other devices that require charging via a USB port. The USB charging sockets have a total output of 2 amps (combined); if the current exceeds this it will automatically shut down to protect your device.

This dual switched socket will fit any standard dual back box (minimum depth of 25mm).

Technical Information

- Working voltage: 13A, 250V
- Working temperature -15 to 40 C
- USB Output: 2A, 5V
- UK 3 pin socket output: 13A, 250V

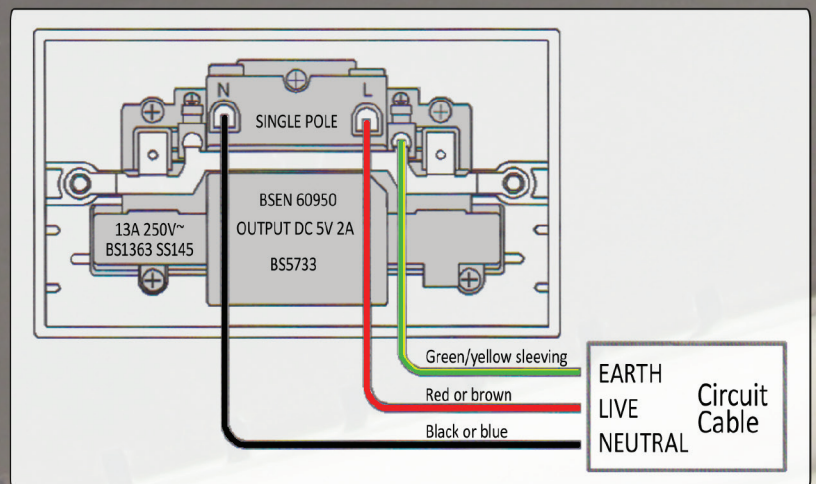


Instructions

1. Firstly, ensure you isolate the mains power supply and remove the fuse in the fuse box or switch off the circuit breaker in the consumer unit.
2. Following the diagram pass the cable through the entry holes and connect to the appropriate terminal.
3. If an Earth loop connection is required, use the additional earth terminal block located in the back box.
4. Re-connect the mains supply when the installation is correctly completed.

Before use we recommend that a socket test is carried out.

DO NOT MEGGER TEST
this will damage the USB charging circuit.



Manufacturer's Part Number	Description
UT-86USB	Dual Power Socket with Dual USB Outlets