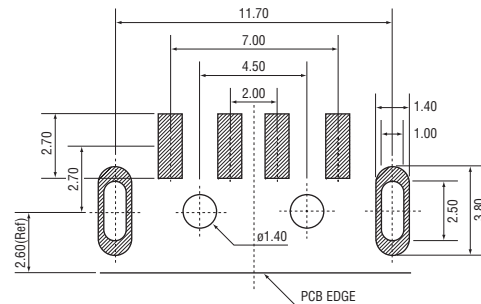
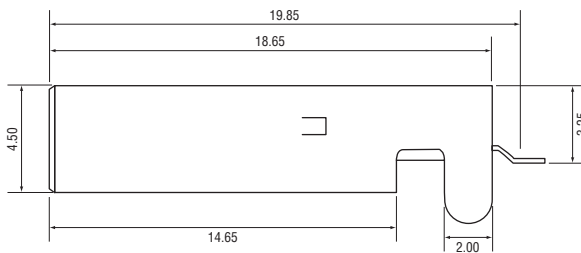
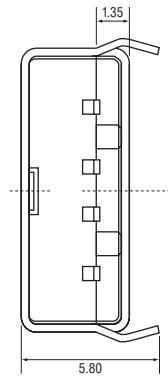
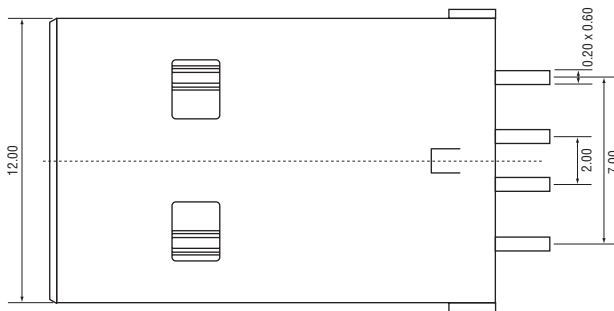


Specifications:

- 1.0 Contact resistance: 30mΩ max.
- 1.1 Insulation resistance: 1000MΩ min.
- 1.2 Current rating: 1.5A
- 1.3 Voltage rating: 30VDC
- 1.4 Dielectric withstanding voltage: AC 500V for 1 minute

Materials:

- 2.0 Housing: thermoplastic (UL 94 V-0)
- 2.1 Contact: Copper alloy
- 2.2 Shell: Steel



Recommend PCB Layout (tolerance ±0.05)