

THIS IS A C.A.D. GENERATED DRAWING
DO NOT MAKE MANUAL REVISIONS TO MASTER.



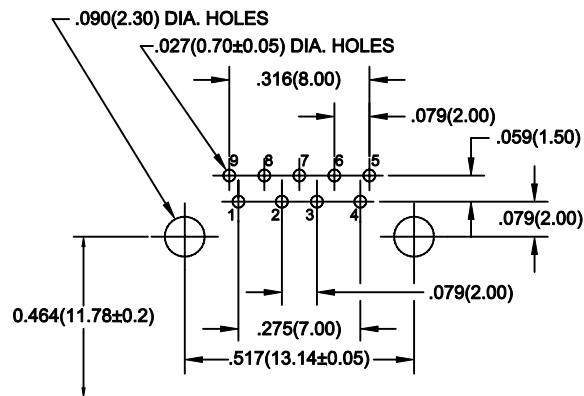
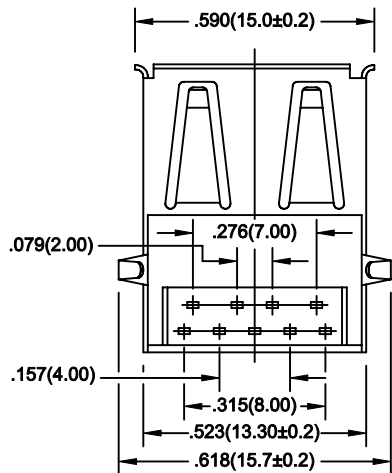
ISSUE NUMBER	
REMOVE P/N: 690-009-221-013 R.STA.MONICA MAY.07/10	(7)
ADD P/N: 690-009-521T013 AND 690-009-621T013 R.STA.MONICA JUN.01/10	(8)
690-009-521-313 WAS 690-009-521T013 AND 690-009-621-313 WAS 690-009-621T013, ADD TAPE & REEL AND PCB TOLERANCE R.STA.MONICA JUN.07/10	(9)

SPECIFICATION:

CONTACT CURRENT RATING: 1.8 A PER PIN MIN. AT25°C (STILL AIR)
 INSULATION RESISTANCE: 100 MEGOHMS MIN. AT DC FOR 1 MINUTE
 DWV: 100 VAC FOR 1 MINUTE
 LOW LEVEL CONTACT RESISTANCE: 50 MILLIOMHS MAX.
 INSERTION FORCE: 3.57 KG.(35N) MAX.
 EXTRACTION FORCE: 1.02 KG.(10N) MIN. FOR INITIAL
 OPERATING TEMPERATURE: -30°C TO +85°C

MATERIALS:

SHELL: BRASS, NICKEL PLATED
 CONTACTS: PHOSPHOR BRONZE, PLATED WITH 15 MICROINCHES OF GOLD
 ON CONTACT AREA, TIN ON TAIL OVER NICKEL.
 INSULATORS: PBT, UL94V-0, BLUE COLOR (PANTONE 300C)



CONNECTOR FRONT EDGE

PC BOARD MOUNTING DIMENSIONS



THIS SERIES FULLY CONFORMS TO THE
EUROPEAN UNION DIRECTIVES 2002/95/EC
AND 2002/96/EC FOR RoHS COMPLIANCY.

NOTE:

TOLERANCE FOR ALL DIMENSIONS IN MM IS ±0.1,
UNLESS OTHERWISE SPECIFIED

USB-A RECEPTACLE 90° DIP, 3.0 VERSION



EDAC INC
TORONTO, ONTARIO
CANADA

YOUR CONNECTION TO QUALITY & SERVICE

THESE DRAWINGS AND SPECIFICATIONS
ARE THE PROPERTY OF EDAC INC., AND
SHALL NOT BE REPRODUCED, OR COPIED
OR USED AS THE BASIS FOR THE
MANUFACTURE OR SALE OF APPARATUS
WITHOUT WRITTEN PERMISSION.

ACAD REFERENCE NO.	690-009-521-013
DRAWN: F. BRIONES	DATE: AUG. 17/09
PART NUMBER	
SEE ABOVE	
DRAWING NUMBER	ISSUE
690-009-521-013	10

SHEET 1 OF 3