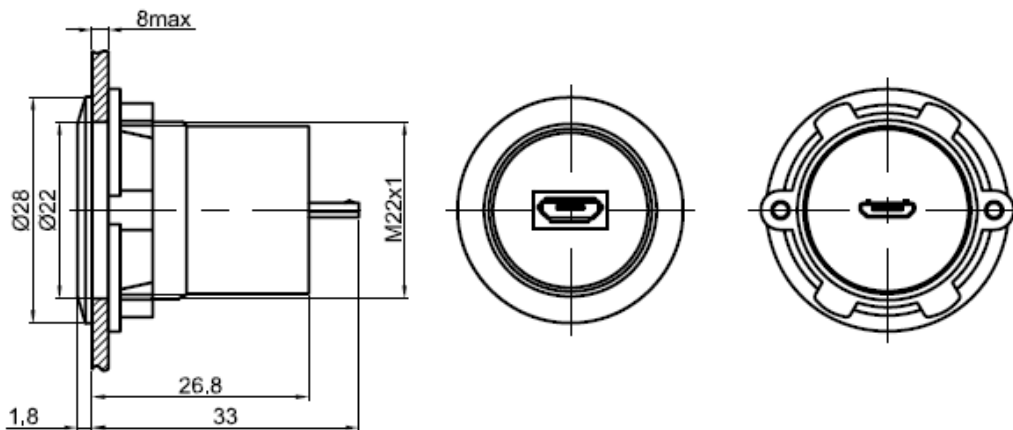


## DATASHEET

Micro USB 2.0 Panel Jack, Ø22mm  
 Front: Female Type micro A  
 Back: Male Type B

Version 01/15

Item no.: 92007p50



Specification .....	Front: Female Type micro A Back: Male Type B
Operating Temperature.....	-25°C ~ +55°C (NO-Freezing)
Operating Humidity.....	45~85%RH(NO Condensation)
Panel Thickness.....	1~8 mm
Body Material.....	Aluminium anodized (Black color)