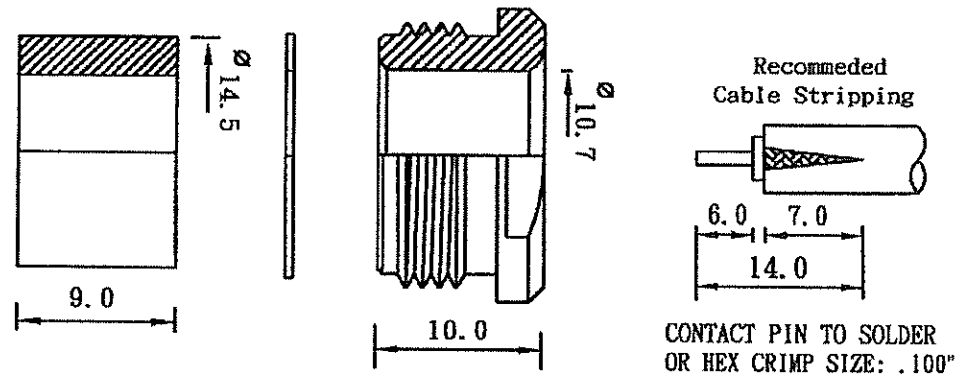


NOTE: FINISH (PLATING THICKNESS IN MICRO-INCHES)

1. BRASS PER JIS-C3604
2. CONNECTOR INTERFACE PER MIL-STD-348A
3. PART TO BE CLEAN AND FREE BURRS
4. NICKEL PL 70 μ " THICK OVER COPPER STRIKE
5. GOLD PL 1-3 μ " OVER NICKEL PL 70 μ " THICK OVER COPPER STRIKE

6	Nut	Brass	Nickel
5	Braid Clamp	Brass	Silver
4	Rubber	Silicon	Red
3	Insulator	Delrin	White
2	Contact	Brass	Gold
1	Body	Brass	Nickel
No	Description	Material	Finish



Recommended
Cable Stripping
CONTACT PIN TO SOLDER
OR HEX CRIMP SIZE: .100"

DIMENSIONS ARE IN MILLIMETERS

252522

RoHS COMPLIANT

UNLESS OTHERWISE SPECIFIED

TOLERANCES
0.5-6=±0.2
6-30=±0.4
30-120=±0.6
120-315=±1.0
315-1000=±1.6
1000-2000=±2.4

PART NO.

0404008/D

TITLE: N CLAMP PLUG FOR RG213/U CABLE

DATE

July / 27 / 2010

NOT SCALED DRAWING

DRAWING NO.