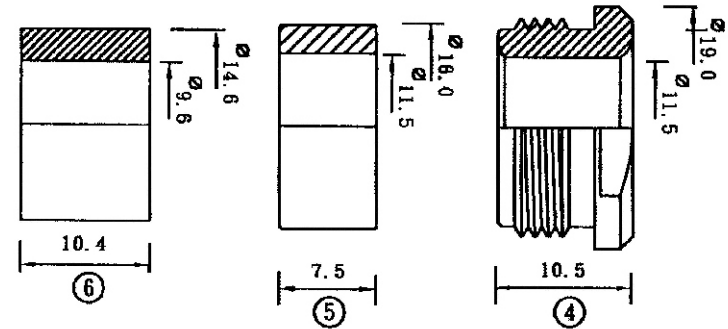


NOTE: FINISH (PLATING THICKNESS IN MICRO-INCHES)

1. BRASS PER JIS-CS604
2. TEFLON MIL-P-19468
3. CONNECTOR INTERFACE PER MIL-STD-348A
4. PART TO BE CLEAN AND FREE BURRS
5. NICKEL PL. 70 μ " THICK OVER COPPER STRIKE
6. GOLD PL. 1-3 μ " OVER NICKEL PL. 70 μ " THICK OVER COPPER STRIKE

6	Rubber	Silicon	White
5	Braid Clamp	Brass	Nickel
4	Nut	Brass	Nickel
3	Insulator	Teflon	White
2	Contact	Brass	Gold
1	Body	Brass	Nickel
NO	Description	Material	Finish



Artikelnummer	Artikeltext
252948	N-Stecker für Aircom Plus und Ecoflex 10, Löt Ausführung