

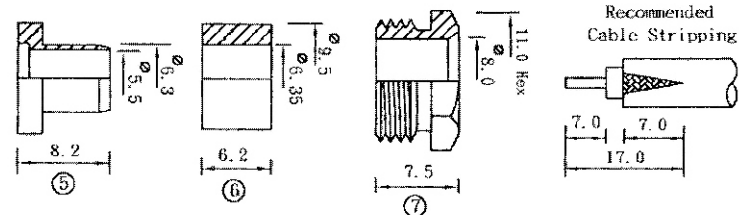
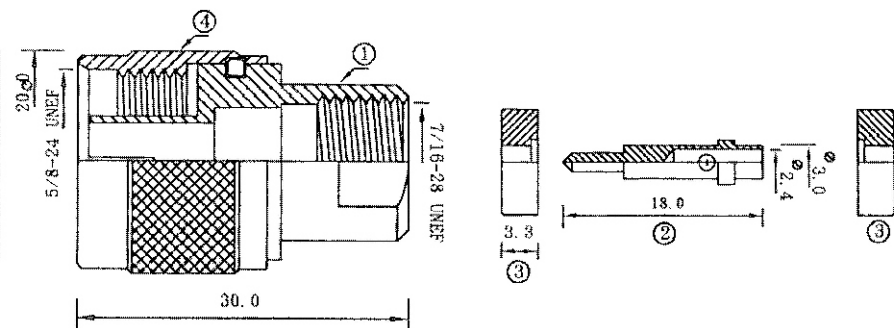


Impedance	50Ω
Frequency range	0-6 GHz
Voltage rating	1500 volts peak
Dielectric withstanding voltage	2500 volts rms
VSWR	M39012 straight connectors: 1.3 max. 0-11GHz M39012 right angle: 1.35 max. 0-11GHz
Other (MIL-C-39012 cable connectors)	Contact resistance: center contact 1.0 milliohm outer contact 0.2 milliohm Insertion loss: 0.15db max at 10.0GHz Insulation resistance: 5000 megohms(min)

NOTE: FINISH (PLATING THICKNESS IN MICRO-INCHES)

1. BODY: BRASS PER J15-C3604
2. INSULATION: TEFLON PER ASTM D1457 AND ASTM D1710
3. CONNECTOR INTERFACE PER MIL-STD-348A
4. PART TO BE CLEAN AND FREE BURRS
5. NICKEL PL. 70 μ" THICK OVER COPPER STRIKE
6. GOLD PL. 1-3 μ" OVER NICKEL PL. 70 μ" THICK OVER COPPER STRIKE

7	Nut	Brass	Nickel
6	Gasket	Rubber	Red
5	Braid Clamp	Brass	Silver
4	Shell	Brass	Nickel
3	Insulator	Teflon	White
2	Contact	Brass	Gold
1	Body	Brass	Nickel
NO	Description	Material	Finish



Artikelnummer	Artikeltext
252964	UHF-Stecker für Aircom Plus und Ecoflex 10, LötAusführung