

32mm fuseholders

Order code	Manufacturer code	Description
26-0354	RS-9A	LOW PROFILE 32X6.3MM FUSEHOLDER (RC)

32mm fuseholders	Page 1 of 3
The enclosed information is believed to be correct, Information may change without notice due to product improvement. Users should ensure that the product is suitable for their use. E. & O. E.	Revision A 20/02/2007

新進工業股份有限公司

SHIN CHIN INDUSTRIAL CO., LTD.




承 認 書 SPECIFICATION FOR APPROVAL

客 戶
CUSTOMER

品 名
MODEL NO. R3-9A

承 認 印
APPROVED BY

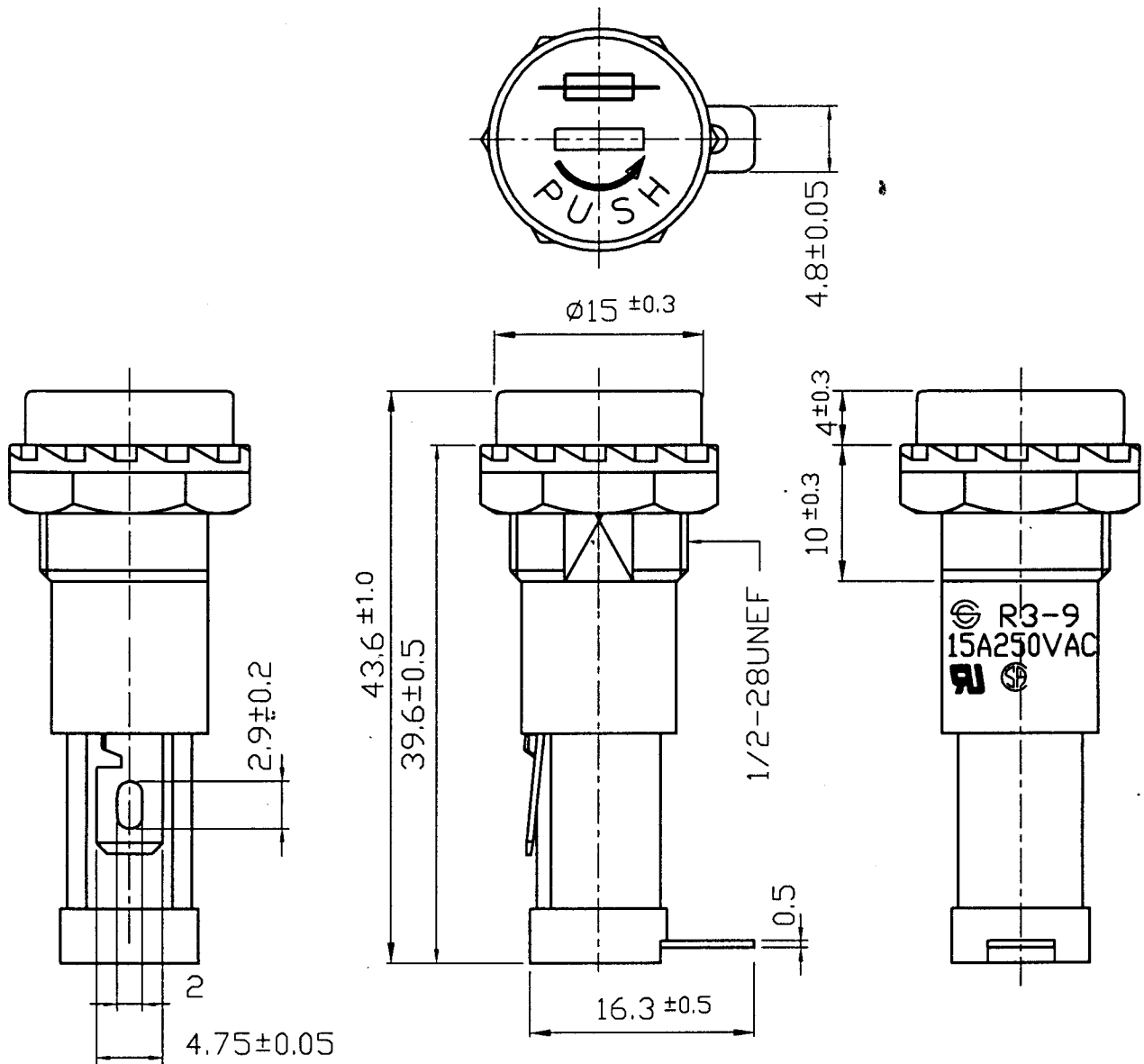
總公司:台南縣永康市正北一路 128 號
Head Office & Factory:
Add:No.128,Cheng Pei 1st Rd,
Yung Kang City,Tainan Hsien,Taiwan,R.O.C.
Tel:886-6-2532181-6 Fax:886-6-2532633
台北分公司:台北市復興北路 402 巷 10 號 1F
Taipei Branch:
Add:No.10,Lane 402,Fu Hsing N.Road
Taipei,Taiwan,R.O.C.
Tel:886-2-25014062-4 Fax:886-2-25040685
大陸工廠:廣東省惠州市陳江工業區 B 棟
China Factory:
Add: 1-3 FL,B.Bldg,Chin Chiang Industry District
Hui-Chou City,Guang Dong Province,China
Tel: 86-752-3320596,86-752-3321427 Fax:86-752-3320586

日期:					
主 管		擔 當		品 管	

*本規格修改不另行通知。

*The specifications subject to change without notice.

Rating	15A 250V AC	Mount Hole	
Insulation R	DC 500V 100M ohm Min.		Panel Thickness 0.7~4.0mm
Dielectric Strength	AC 1500V 1 minute		
Operation Temperature	-20~65°C		
Humidity	90~95% Rh		
Fuse Size	$\phi 6.4 \times 30\text{mm} / \phi 6.35 \times 31.8\text{mm}$		



C1\WK12\R3-9a-0.DWG

△	Date	Name	Descriptions			
Drawing	Check	Approval	SCI No.		Model Name	
張曉斌	黃 83.12.12	李景煌	Customer No.		Model No.	R3-9A
12/12/00'	俊仁	李景煌	Unit		SHIN CHIN INDUSTRIAL CO., LTD.	

研發部
83.12.12
李景煌