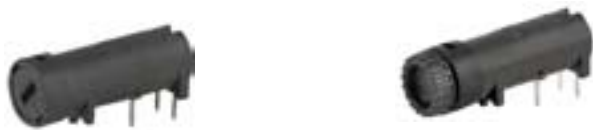


**20mm fuseholders**

<b>Order code</b>	<b>Manufacturer code</b>	<b>Description</b>
26-0362	3101-0055	20MM HORIZ PCB SCHURTER FUSEHOLDER (RC)

20mm fuseholders	Page 1 of 3
The enclosed information is believed to be correct, Information may change without notice due to product improvement. Users should ensure that the product is suitable for their use. E. & O. E.	Revision A 20/02/2007

PCB, 5 x 20 mm



Fingergrip

250 VAC · 2.5 W/10A (VDE) · 250 VAC · 16A (UL/CSA)



**Description**

- Cap is available slotted or fingergrip
- Horizontal style

**Standards**

- IEC 60127-6
- UL 512
- CSA C22.2 no. 39

**Approvals**

- VDE License Number: 129098
- UL File Number: E39328

**References**

[General Product Information](#)

**Weblinks**

Approvals: [www.schurter.com/approvals](http://www.schurter.com/approvals)  
 RoHS: <http://www.schurter.com/rohs>  
 CHINA-RoHS: [www.schurter.com/china-rohs](http://www.schurter.com/china-rohs)  
 Webstore: [www.schurterinc.com/estore/search.ihml](http://www.schurterinc.com/estore/search.ihml)

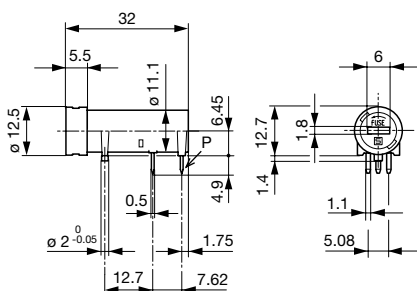
**Technical Data**

Shocksafe Category	PC2
Fuse-Link	5 x 20 mm
Mounting	PCB
Terminal	Solder THT
Rated Voltage	250VAC , 250VAC
Rated Current	10A (VDE), 16A (UL/CSA)
Rated Power Acceptance IEC	2.5 W / 10A @ Ta 23°C Admissible power acceptance at higher ambient temperature see derating curves
Degree of Protection	IP 40
Protection Class	Suitable for appliances with protection class I or II acc. to IEC 61140
Admissible Ambient Air Temp.	-40°C to 85°C
Climatic Category	40/085/21 acc. to IEC 60068-1
Material: Socket	Thermoplastic, black, UL 94V-0
Material: Terminals	Tin-Plated Copper Alloy
Unit Weight (Socket/Cap)	4.31 g
Storage Conditions	0°C to 60°C, max. 70% r.h.
Product Marking	Type, Voltage Rating, Power Acc./Current Ratings, Approvals

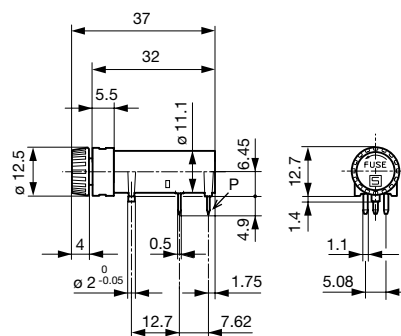
Soldering Methods	Wave
Solderability	235°C / 2 sec acc. to IEC 60068-2-20, Test Ta, method 1
Resistance to Soldering Heat	260°C / 10sec acc. to IEC 60068-2-20, Test Tb, method 1A
Contact Resistance	< 5mΩ at 20 mV
Dielectric Strength	> 3kV between L-N (50Hz; 1 min)
Impulse Withstand Voltage	> 4kV between L-N
Insulation Resistance	> 10MΩ between L-N (500VDC; 1 min)
Overvoltage Category	I - III acc. to IEC 60664-1
Pollution Degree	1 - 3 acc. to IEC 60664-1
Resistance to Vibration	acc. to IEC 60068-2-6, test Fc

**Dimensions**

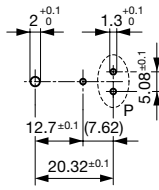
Length 32 mm



Variant 3101.0050

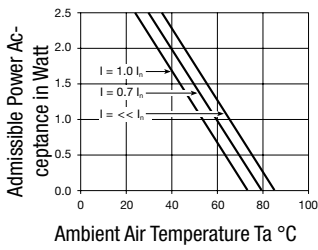


Variant Fingergrip 3101.0055



Drilling diagram

## Derating Curves for Fuseholders



## Variants

[Webstore](#)

Order Number	Holder	Cap	Terminal	Degree of Protection
3101.0050	●	Slot Knob	Straight	IP 40
3101.0055	●	Fingergrip	Straight	IP 40

White and grey colours available on request

## Packaging Unit

Bulk 186 x 91 x 91 mm (100 pcs.)