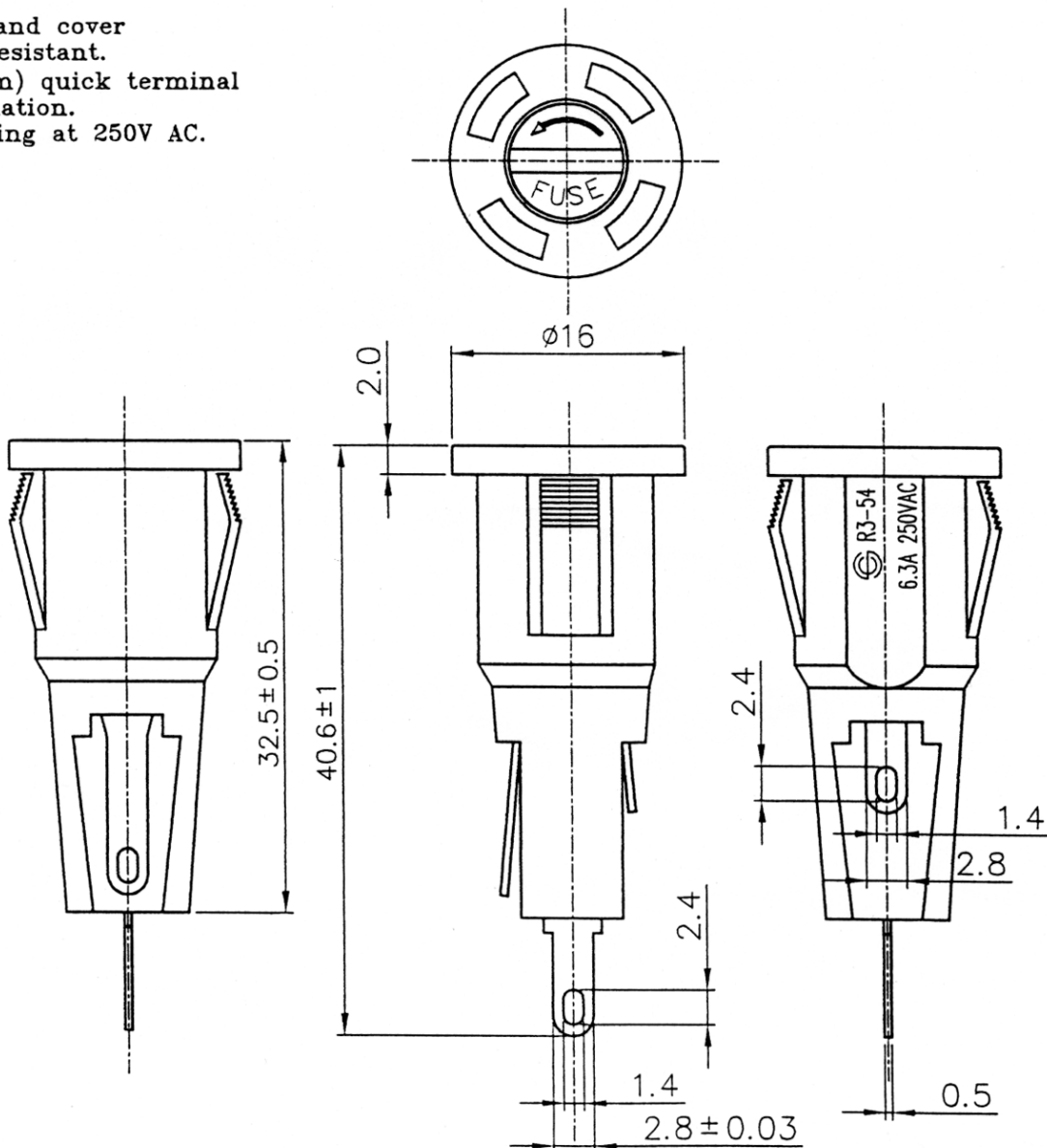


Order code	Manufacturer code	Description
26-1576	R3-54 BLACK	20MM SNAP FIT FUSEHOLDER 6.3A 250V

	Page 1 of 2
The enclosed information is believed to be correct, Information may change 'without notice' due to product improvement. Users should ensure that the product is suitable for their use. E. & O. E.	Revision A 04/07/2003

Rating	6.3A 250V AC	Mount Hole	Circuit Structure
Contact R			Nil
Insulation R	DC 500V 100M ohm Min.		
Dielectric Strength	AC 1500V 1 minute		
Circuit			

Feature
 Nylon base and cover
 soldering resistant.
 0.197 (5.0mm) quick terminal
 easilt installation.
 6.3amp rating at 250V AC.
 Snap-in.



C2\W14\R3\54-0

Customer No.	No.	Date	Name	Descriptions
SCI No.				
Model No.	R3-54			
Drawing	Check	Approval		
04.6.13 俊仁	6/13/00	研發部 04.6.13 李景煌		